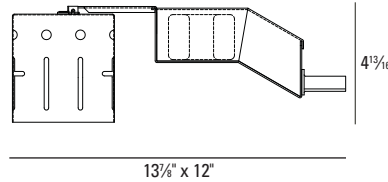


# Recessed Housing Low Voltage

100

## Retrofit For 4-15/16" Sliver and Stellos Trims



### HOUSING INFORMATION

#### APPLICATION:

For use with USAI trims rated up to 50W.  
For use in existing ceilings.

#### MATERIALS:

Housing: Fabricated of black powder coated 20 ga. galvanized steel with 20 ga. galvanized steel with external thru wire J-box, 2 in 2 out at min. 90°C, #12 AGW thru branch circuit wiring.

#### LAMPS: (not included)

50W max. MR16 GU5.3.

#### MOUNTING:

Supplied with two spring steel mounting clips to position the housing in ceiling.

#### VOLTAGE:

Specify 120V or 277V.

#### TRANSFORMER:

120V - Low voltage Magnetic toroidal - HPF.

277V - Low voltage solid state electronic.

Note: Due to transformer / dimmer match some dimmers may cause transformer hum. Check with dimmer manufacturer for suitability.

#### THERMAL PROTECTOR:

Provided as standard.

#### SOCKET:

Porcelain construction with 18 ga., 250°C sleeved leads. Sized for MR16 halogen 12V lamps.

Bi-pin base GU5.3.

#### LISTINGS:

Dry/damp/wet under covered ceiling.

Some trims may not be applicable with wet listing.

See specific trim spec sheets for trims that apply.



IBEW union made.

#### CEILING CUT OUT:

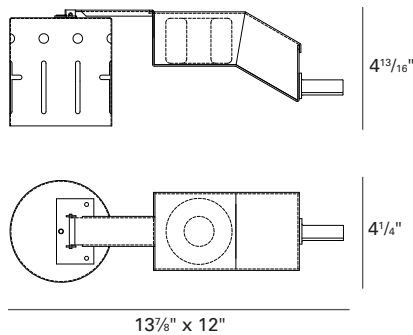
4 3/8" Ø

#### NOTES:

- Maximum ceiling thickness 1 inch.  
Consult factory for other ceiling conditions.

### DIMENSIONS

Retrofit



### COMPATIBLE TRIMS

SLIVER Downlight	STELLOS Downlight
7862	1177
7867	1188
7869	1377
7872	1388
7967	1577
7969	1588
7972	2288
	3388
	8354
	8357
	8358
	8359
	9354
	9357
	9358
	9359

### ORDERING INFORMATION

Housing	- Voltage	- Accessories
<b>100</b>	<b>120V</b>	<b>ER - Emergency Relay</b>
Retrofit	<b>277V</b>	
for 4 15/16" Sliver and Stellos Trims		
50W max		

How to Specify	<b>100</b>	-	-
	Housing	- Voltage	- Accessories



USA Illumination™  
www.usaillumination.com  
info@usaillumination.com

1126 River Road  
New Windsor, NY 12553

T 845-565-8500  
F 845-561-1130

©2009. USAI, LLC.  
All rights reserved.  
All designs protected by copyright.