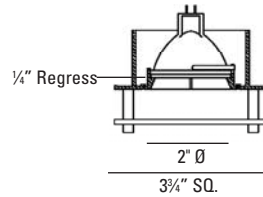


# Stellos Low Voltage Halogen

# 1277 1477 1677

## Downlight



### LUMINAIRE INFORMATION

#### APPLICATION:

Accent luminaire for Residential, Commercial, Retail or Hospitality environments.

#### MATERIALS:

Trim: Die cast aluminum with torsion spring mounting.  
 1277 - 2" Square Clear center, frosted edge  
 1477 - 2" Square Frosted center, clear edge  
 1677 - All frosted  
 Lens: Clear  
 Drop Glass: Borosilicate

**LAMP:** (not included) When using IR lamps, 37W Max.  
 (1) 50W Max. MR16 GU5.3.

#### TRANSFORMER:

Low voltage solid state electronic.  
 Note: Due to transformer / dimmer match some dimmers may cause transformer hum. Check with dimmer manufacturer for suitability.

#### VOLTAGE:

Specify 120V or 277V.

#### CEILING CUT OUT:

3 3/8" Ø

#### LISTINGS:

Dry/damp location.



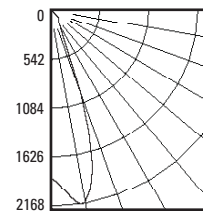
IC/Airtight housing meets Washington state airflow requirement and ASTM E283.  
 IBEW union made.

#### NOTES:

- Maximum ceiling thickness 1 inch. Consult factory for other ceiling conditions.
- Maximum 2 lens options (size B).

#### PHOTOMETRICS:

##### Distribution chart



Bare lamp photometrics  
 50W MR16 GU5.3 40°

Ft below	FC nadir	Dia. @ 50%
6.0	51.3	5.8
8.0	28.9	7.0
10.0	18.5	8.2
12.0	12.9	9.3
14.0	9.4	10.5
16.0	7.2	11.6

### HOUSING INFORMATION

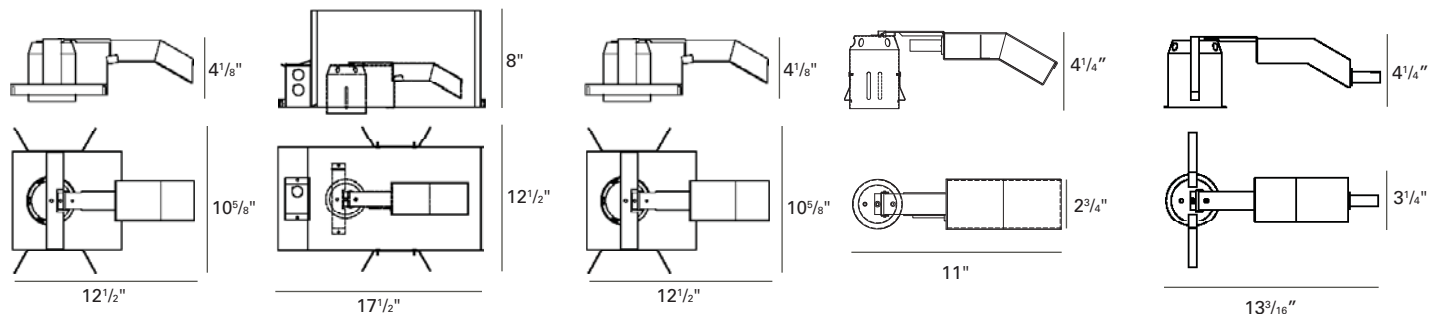
New Construction  
**325NC**

IC/Airtight  
**325IC**

Remote Transformer  
**325RM**

Retrofit  
**325RT-35** (35W max.)

Retrofit  
**325RT-50**



### HOW TO SPECIFY

Trim	Finish	Housing	Voltage	Accessories
<p>1277 - 2" Square Clear Center, Frosted Edge                      1477 - 2" Square Frosted Center, Clear Edge                      1677 - All Frosted                      Stellos                      Downlight,                      50W Max. MR16 GU5.3</p>	<p>10 - White                      21 - Black                      28 - Metalized Grey</p>	<p>325NC - New Construction                      325IC - IC/Airtight                      325RM - Remote Transformer                      325RT-35 - Retrofit (35W max.)                      325RT-50 - Retrofit</p>	<p>120V                      277V</p>	<p>8177B - Hex Cell Louver                      9143B - Frosted Lens                      9153B - Anti UV Filter                      9155B - Linear Spread Lens                      9156B - Prismatic Spread Lens                      9157B - Solite Lens                      9199B - Frosted Borosilicate Lens                      ER - Emergency Relay</p>