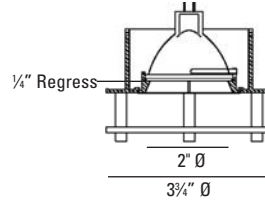


Stellos Low Voltage Halogen

1288 1488 1688

Downlight



LUMINAIRE INFORMATION

APPLICATION:

Accent luminaire for Residential, Commercial, Retail or Hospitality environments.

MATERIALS:

Trim: Die cast aluminum with torsion spring mounting.
 1288 - 2" Ø Clear center, frosted edge
 1488 - 2" Ø Frosted center, clear edge
 1688 - All frosted
 Lens: Clear
 Drop Glass: Borosilicate

LAMP: (not included) When using IR lamps, 37W Max.
 (1) 50W Max. MR16 GU5.3.

TRANSFORMER:

Low voltage solid state electronic.
 Note: Due to transformer / dimmer match some dimmers may cause transformer hum. Check with dimmer manufacturer for suitability.

VOLTAGE:

Specify 120V or 277V.

CEILING CUT OUT:

3 3/8" Ø

LISTINGS:

Dry/damp location.

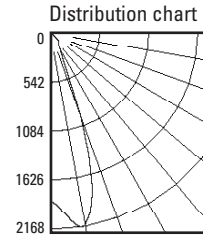


IC/Airtight housing meets Washington state airflow requirement and ASTM E283.
 IBEW union made.

NOTES:

- Maximum ceiling thickness 1 inch. Consult factory for other ceiling conditions.
- Maximum 2 lens options (size B).

PHOTOMETRICS:



Bare lamp photometrics
 50W MR16 GU5.3 40°

Ft below	FC nadir	Dia. @ 50%
6.0	51.3	5.8
8.0	28.9	7.0
10.0	18.5	8.2
12.0	12.9	9.3
14.0	9.4	10.5
16.0	7.2	11.6

HOUSING INFORMATION

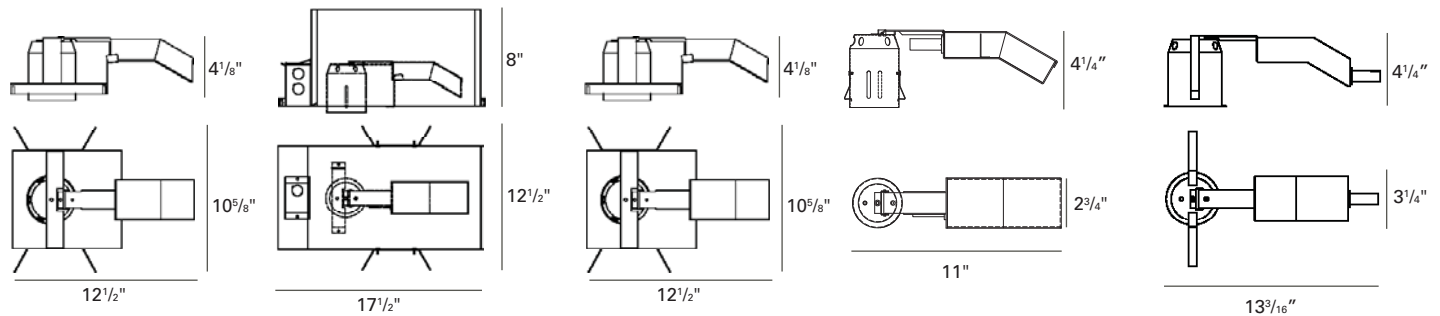
New Construction
325NC

IC/Airtight
325IC

Remote Transformer
325RM

Retrofit
325RT-35 (35W max.)

Retrofit
325RT-50



HOW TO SPECIFY

Trim	Finish	Housing	Voltage	Accessories
<p>1288 - 2" Ø Clear Center, Frosted Edge 1488 - 2" Ø Frosted Center, Clear Edge 1688 - All Frosted Stellos Downlight, 50W Max. MR16 GU5.3</p>	<p>01 - Polished Chrome 07 - Brushed Aluminum 10 - White 21 - Black 28 - Metalized Grey</p>	<p>325NC - New Construction 325IC - IC/Airtight 325RM - Remote Transformer 325RT-35 - Retrofit (35W max.) 325RT-50 - Retrofit</p>	<p>120V 277V</p>	<p>8177B - Hex Cell Louver 9143B - Frosted Lens 9153B - Anti UV Filter 9155B - Linear Spread Lens 9156B - Prismatic Spread Lens 9157B - Solite Lens 9199B - Frosted Borosilicate Lens ER - Emergency Relay</p>