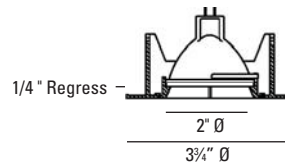


Stellos Low Voltage Halogen

2282

Downlight



LUMINAIRE INFORMATION

APPLICATION:

Accent luminaire for Residential, Commercial, Retail or Hospitality environments.

MATERIALS:

Trim: Die cast aluminum with torsion spring mounting.
Lens: Clear

LAMP: (not included) When using IR lamps, 37W Max.
(1) 50W Max. MR16 GU5.3.

VOLTAGE:

Specify 120V or 277V.

TRANSFORMER:

Low voltage solid state electronic.

Note: Due to transformer / dimmer match some dimmers may cause transformer hum. Check with dimmer manufacturer for suitability.

CEILING CUT OUT:

3³/₈"Ø

LISTINGS:

Dry/damp/wet under cover ceiling location.



IC/Airtight housing meets Washington state airflow requirement and ASTM E283.

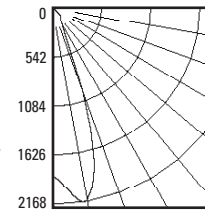
IBEW union made.

NOTES:

- Maximum ceiling thickness 1 inch. Consult factory for other ceiling conditions.
- Maximum 2 lens options (size B).

PHOTOMETRICS:

Distribution chart



Bare lamp photometrics
50W MR16 GU5.3 40°

Ft below	FC nadir	Dia. @ 50%
6.0	51.3	5.8
8.0	28.9	7.0
10.0	18.5	8.2
12.0	12.9	9.3
14.0	9.4	10.5
16.0	7.2	11.6

HOUSING INFORMATION

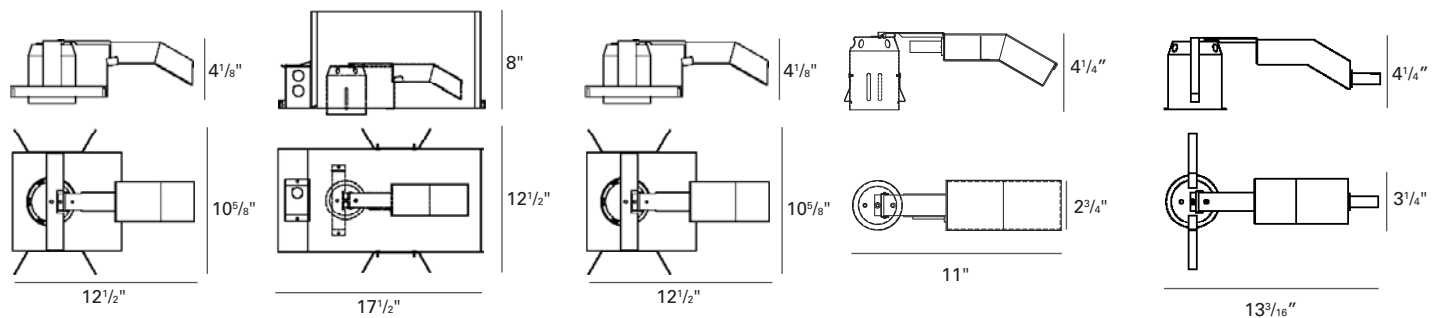
New Construction
325NC

IC/Airtight
325IC

Remote Transformer
325RM

Retrofit
325RT-35 (35W max.)

Retrofit
325RT-50



HOW TO SPECIFY

Trim	Finish	Housing	Voltage	Accessories
2282				
2282 - Shallow Regress Stellos Downlight, 50W Max. MR16 GU5.3	01 - Polished Chrome 07 - Brushed Aluminum 10 - White 21 - Black 28 - Metalized Grey	325NC - New Construction 325IC - IC/Airtight 325RM - Remote Transformer 325RT-35 - Retrofit (35W max.) 325RT-50 - Retrofit	120V 277V	8177B - Hex Cell Louver 9143B - Frosted Lens 9153B - Anti UV Filter 9155B - Linear Spread Lens 9156B - Prismatic Spread Lens 9157B - Solite Lens 9199B - Frosted Borosilicate Lens ER - Emergency Relay