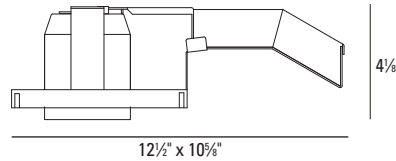


Recessed Housing Low Voltage

325NC

New Construction For 3-3/4" Sliver and Stellos Trims



HOUSING INFORMATION

APPLICATION:

For use with USAI trims rated up to 50W.
This housing permits the use of small diameter trims in non-accessible ceilings without the need for secondary rings or goof rings. This housing is serviced through the aperture with no ceiling access required.

MATERIALS:

Housing: Fabricated of black powder coated 20 ga. galvanized steel with external thru wire J-box, 2 in 2 out at min. 90°C, #12 AGW thru branch circuit wiring.
Frame: 16 ga. galvanized steel.

LAMPS: (not included)
50W max. MR16 GU5.3.

MOUNTING:

Butterfly brackets and adjustable nailer bars with integral nails provided. Nailer bars are extendible from 14" to 24" centers.

VOLTAGE:

Specify 120V or 277V.

TRANSFORMER:

Low voltage solid state electronic.
Note: Due to transformer / dimmer match some dimmers may cause transformer hum. Check with dimmer manufacturer for suitability.

SOCKET:

Porcelain construction with 18 ga., 250°C sleeved leads. Sized for MR16 halogen 12V lamps.
Bi-pin base GU5.3.

LISTINGS:

Dry/damp/wet under covered ceiling.
Some trims may not be applicable with wet listing. See specific trim spec sheets for trims that apply.
Not wet listed for flush (325CCR and 325CCS) installation.



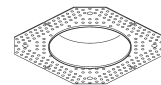
IBEW union made.

CEILING CUT OUT:

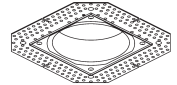
3 3/8" Ø

NOTES:

- Maximum ceiling thickness 1 inch. Consult factory for other ceiling conditions.
- 5 1/2" minimum clearance above ceiling required
- Use 325CCR and 325CCS trimless adapters for a smooth flush Sliver installation.



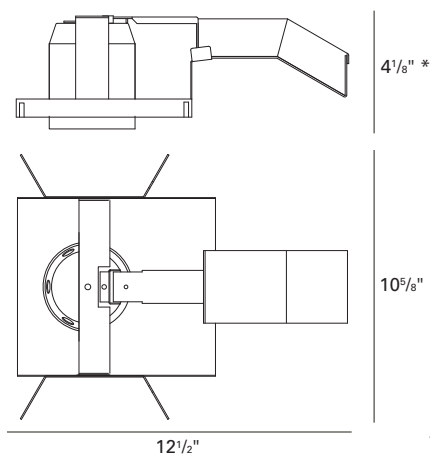
325CCR



325CCS

DIMENSIONS

New Construction



* 5 1/2" minimum clearance above ceiling required.

COMPATIBLE TRIMS

SLIVER

Downlight	Adjustable	Wall Wash
7847	7852	4998
7849	7857	4999
7860	7859	5998
7870	7865	5999
7947	7875	
7949	7957	
7970	7959	
	7975	
	9865	
	9975	

STELLOS

Downlight	Adjustable	Wall Wash
1277	2280	6998
1288	9550	6999
1477	9750	7998
1488		7999
1677		
1688		
2282		
3382		
8347		
8348		
8349		
8352		
9347		
9348		
9349		
9352		

ORDERING INFORMATION

Housing

– Voltage

– Accessories

325NC

120V

325CCR - Trimless Adapter for 3-1/2" Round Sliver Trims

New Construction Housing

277V

325CCS - Trimless Adapter for 3-1/2" Square Sliver Trims

for 3-3/4" Sliver and Stellos Trims

CB27 - 27" C-Channel Bars

50W max

CB52 - 52" C-Channel Bars

ER - Emergency Relay

How to Specify

325NC

Housing

–

– Voltage

–

– Accessories

USAI®

USA Illumination™
www.usaillumination.com
info@usaillumination.com

1126 River Road
New Windsor, NY 12553

T 845-565-8500
F 845-561-1130

© 2009, USAI, LLC.
All rights reserved.
All designs protected by copyright.