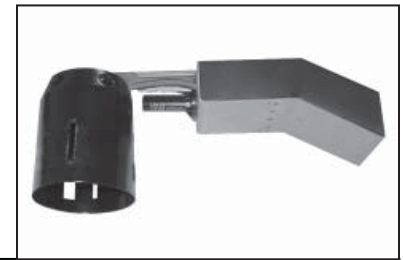
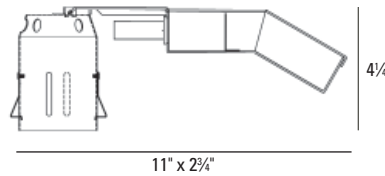


Recessed Housing Low Voltage

325RT-35

Retrofit For 3-3/4" Sliver and Stellos Trims



HOUSING INFORMATION

APPLICATION:

For use with USAI trims rated up to 35W.
This housing permits the use of small diameter trims in non-accessible ceilings without the need for secondary rings or goof rings. This housing is serviced through the aperture with no ceiling access required.

MATERIALS:

Housing: Fabricated of black powder coated 20 ga. galvanized steel. 2 in 2 out at min. 90°C, #12 AGW thru branch circuit wiring.

LAMPS: (not included)
35W max. MR16 GU5.3.

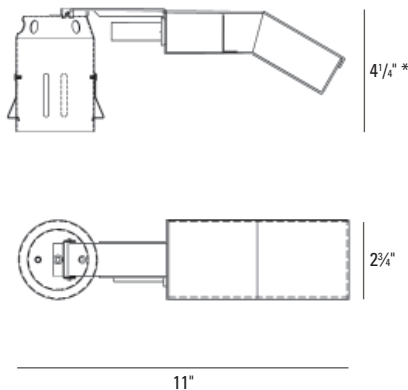
VOLTAGE:
Specify 120V or 277V.

TRANSFORMER:

Low voltage solid state electronic.
Note: Due to transformer / dimmer match some dimmers may cause transformer hum. Check with dimmer manufacturer for suitability.

DIMENSIONS

New Construction



* 5 1/2" minimum clearance above ceiling required.

THERMAL PROTECTOR:

Provided as standard.

SOCKET:

Porcelain construction with 18 ga., 250°C SF-2 sleeved leads. Sized for MR16 halogen 12V lamps. Bi-pin base GU5.3.

MOUNTING:

Supplied with three spring clips to position the housing in the ceiling.

LISTINGS:

Dry/damp/wet under covered ceiling.
Some trims may not be applicable with wet listing. See specific trim spec sheets for trims that apply. Meets ASTM E283 airflow.



IBEW union made.

CEILING CUT OUT:

3 3/8" Ø

NOTES:

- Maximum ceiling thickness 3/4". Consult factory for other ceiling conditions.

COMPATIBLE TRIMS

SLIVER

Downlight	Adjustable	Wall Wash
7847	7852	4998
7849	7857	4999
7860	7859	5998
7870	7865	5999
7947	7875	
7949	7957	
7970	7959	
	7975	
	9865	
	9975	

STELLOS

Downlight	Adjustable	Wall Wash
1277	2280	6998
1288	7855	6999
1477	9550	7998
1488	9750	7999
1677		
1688		
2282		
3382		
8347		
8348		
8349		
8352		
9347		
9348		
9349		
9352		

ORDERING INFORMATION

Housing	– Voltage	– Accessories
325RT-35	120V	ER - Emergency Relay
Retrofit Housing for 3 3/4" Sliver and Stellos Trims 35W max.	277V	
How to Specify	325RT-35	– _____ – _____
	Housing	– Voltage – Accessories



USA Illumination™
www.usaillumination.com
info@usaillumination.com

1126 River Road
New Windsor, NY 12553

T 845-565-8500
F 845-561-1130

© 2009, USAI, LLC.
All rights reserved.
All designs protected by copyright.