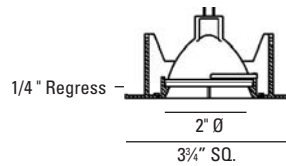


# Stellos Low Voltage Halogen

# 3382

## Downlight



### LUMINAIRE INFORMATION

#### APPLICATION:

Accent luminaire for Residential, Commercial, Retail or Hospitality environments.

#### MATERIALS:

Trim: Die cast aluminum. Torsion spring mounting.  
Lens: Clear

**LAMP:** (not included) When using IR lamps, 37W Max.  
(1) 50W Max. MR16 GU5.3.

#### VOLTAGE:

Specify 120V or 277V.

#### TRANSFORMER:

Low voltage solid state electronic.

Note: Due to transformer / dimmer match some dimmers may cause transformer hum. Check with dimmer manufacturer for suitability.

#### CEILING CUT OUT:

3<sup>3</sup>/<sub>8</sub>"Ø

#### LISTINGS:

Dry/damp/wet under cover ceiling location.



IC/Airtight housing meets Washington state airflow requirement and ASTM E283.

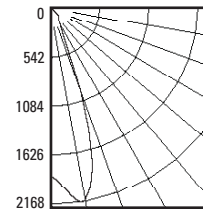
IBEW union made.

#### NOTES:

- Maximum ceiling thickness 1 inch. Consult factory for other ceiling conditions.
- Maximum 2 lens options (size B).

#### PHOTOMETRICS:

##### Distribution chart



Bare lamp photometrics  
50W MR16 GU5.3 40°

| Ft below | FC nadir | Dia. @ 50% |
|----------|----------|------------|
| 6.0      | 51.3     | 5.8        |
| 8.0      | 28.9     | 7.0        |
| 10.0     | 18.5     | 8.2        |
| 12.0     | 12.9     | 9.3        |
| 14.0     | 9.4      | 10.5       |
| 16.0     | 7.2      | 11.6       |

### HOUSING INFORMATION

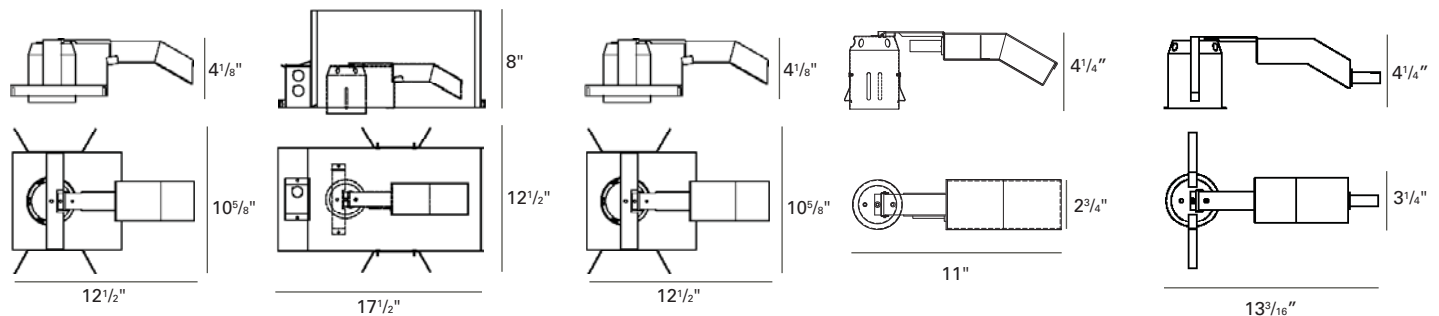
New Construction  
**325NC**

IC/Airtight  
**325IC**

Remote Transformer  
**325RM**

Retrofit  
**325RT-35** (35W max.)

Retrofit  
**325RT-50**



### HOW TO SPECIFY

| Trim  | Finish  | Housing  | Voltage      | Accessories  |
|---|---|--|--------------|--|
| 9750  |   |  |              |  |
| 3382 - Shallow Regress Stellos Downlight, 50W Max. MR16 GU5.3 | 10 - White<br>21 - Black<br>28 - Metalized Grey | 325NC - New Construction<br>325IC - IC/Airtight<br>325RM - Remote Transformer<br>325RT-35 - Retrofit (35W max.)<br>325RT-50 - Retrofit | 120V<br>277V | 8177B - Hex Cell Louver<br>9143B - Frosted Lens<br>9153B - Anti UV Filter<br>9155B - Linear Spread Lens<br>9156B - Prismatic Spread Lens<br>9157B - Solite Lens<br>9199B - Frosted Borosilicate Lens<br>ER - Emergency Relay |