

USA ILLUMINATION

1126 River Road, New Windsor, NY 12553
 Tel. 845-565-8500 Fax: 845-561-1130 email: info@usaillumination.com
 www.usaillumination.com



CATALOG NUMBER

4001 4011 4029 4031

CEILING CUTOUT

7-5/16" x 7-5/16" - **4001**
 7-5/16" x 13" - **4011**
 7-5/16" x 19" - **4029**
 7-5/16" x 25" - **4031**

MATERIAL

DIE FORMED HEAVY
 GAUGE METAL

LAMP

1-50W AR111 - **4001**
 2-50W AR111 - **4011**
 3-50W AR111 - **4029**
 4-50W AR111 - **4031**

LAMP HOLDER

FORMED STEEL

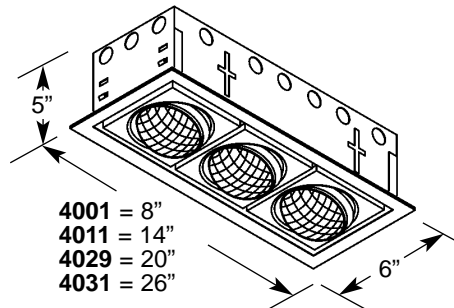
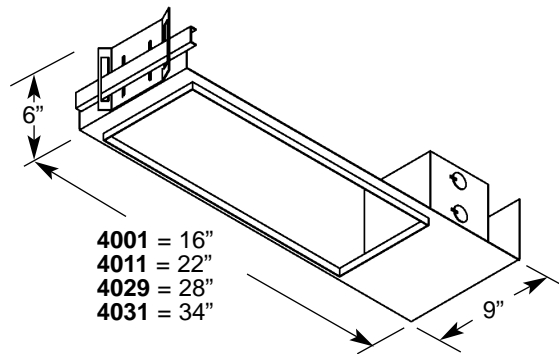
HOUSING

FABRICATED OF
 DIE FORMED 20 GA.
 GALVANIZED STEEL.
 THRU-WIRE JUNCTION
 BOX, 3 IN 3 OUT AT
 MIN. 90°C, #12 AWG
 THRU BRANCH
 CIRCUIT WIRING.

FINISH

FACETTE LOW VOLTAGE AR111 RECESSED RETRACTABLE ADJUSTABLE

4001 - 1 Light Adjustable
4011 - 2 Light Adjustable
4029 - 3 Light Adjustable
4031 - 4 Light Adjustable



ADJUSTMENT

TILT 60°
 ROTATION 356°
 LAMP MODULE POSITIONS
 FLUSH OR 1-1/4" REGRESSED

TRANSFORMER

INTEGRAL
SPECIFY: 120V OR 277V
 ELECTRONIC

MOUNTING OPTIONS

BUTTERFLY BRACKETS
 AND 16" NAILER BARS
 PROVIDED. CHANNEL
 MOUNTING BARS OR 24"
 NAILER BARS AVAILABLE
 AS ACCESSORIES.

LISTINGS

UL LISTED
 IBEW UNION MADE

#	FLANGE	LAMP MODULE	HOUSING INTERIOR
10	WHITE	BLACK	BLACK
21	BLACK	BLACK	BLACK
28	MET GREY	BLACK	BLACK
40	WHITE	WHITE	WHITE

ORDERING INFO.

CATALOG - FINISH - VOLTAGE

TRIM _____

07/05

PROJECT _____

TYPE _____

USA ILLUMINATION™

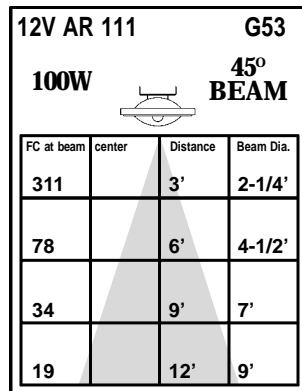
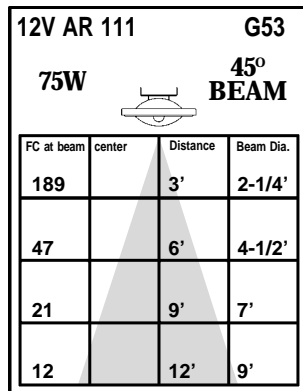
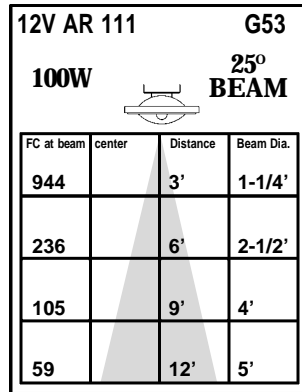
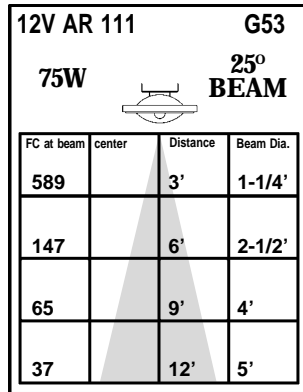
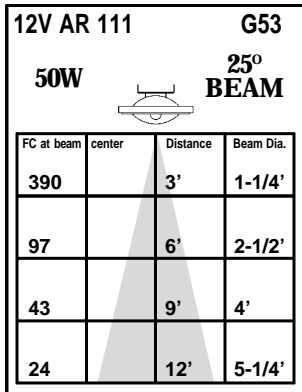
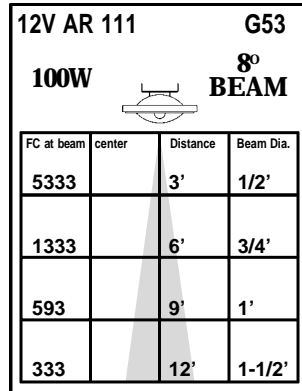
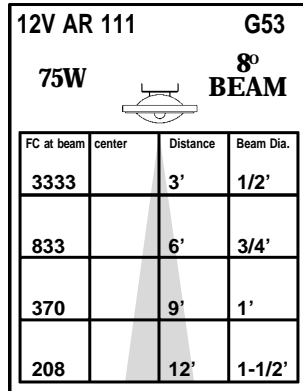
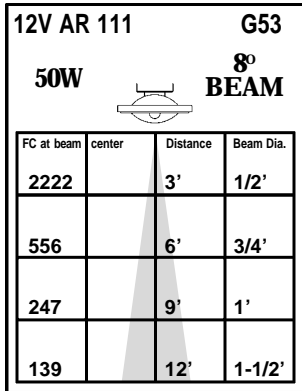
1126 River Road, New Windsor, NY 12553
 Tel. 845-565-8500 Fax: 845-561-1130 email: info@usaillumination.com
 www.usaillumination.com



BEAM DIAGRAMS

AR 111 TUNGSTEN HALOGEN LAMPS

FOOTCANDLE CONES



Actual results may vary.
 All dimensions and data subject to change.