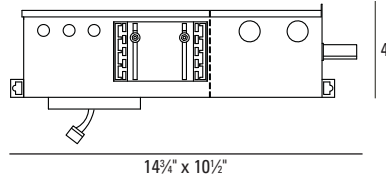


Recessed Housing Low Voltage

50RM

New Construction / Remote Transformer For 4-5/16" Sliver and Stellos Trims



HOUSING INFORMATION

APPLICATION:

For use with USAI trims rated up to 50W.

MATERIALS:

Housing: Fabricated of 20 ga. galvanized steel with thru wire J-box, 4 in 4 out at min. 90°C, #12 AGW thru branch circuit wiring.

Aperture Plate: 20 ga. steel 1/2" plaster stop, 4 3/8" opening for below ceiling access to electrical components and access to thru wiring splices.

LAMPS: (not included)

50W max. MR16 GU5.3.

MOUNTING:

Butterfly brackets and adjustable nailer bars with integral nails provided. Nailer bars are extendible from 14" to 24" centers.

VOLTAGE:

Specify 120V or 277V.

TRANSFORMER: (not included)

Remote (by others).

Note: Due to transformer / dimmer match some dimmers may cause transformer hum. Check with dimmer manufacturer for suitability.

THERMAL PROTECTOR:

Provided as standard.

SOCKET:

Porcelain construction with 18 ga., 250°C SF-2 sleeved leads. Sized for MR16 halogen 12V lamps. Bi-pin base GU5.3.

LISTINGS:

Dry/damp/wet under covered ceiling. Some trims may not be applicable with wet listing. See specific trim spec sheets for trims that apply.



IBEW union made.

CEILING CUT OUT:

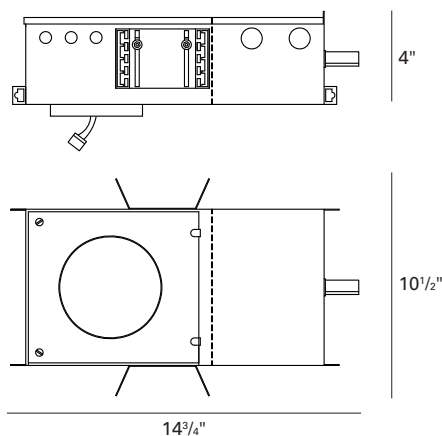
4 3/8" Ø

NOTES:

- Maximum ceiling thickness 1 inch. Consult factory for other ceiling conditions.

DIMENSIONS

New Construction / Remote Transformer



COMPATIBLE TRIMS

SLIVER

| Downlight | Adjustable | Wall Wash |
|-----------|------------|-----------|
| 7862 | 7827 | 4898 |
| 7867 | 7837 | 4899 |
| 7869 | 7882 | 5898 |
| 7872 | 7885 | 5899 |
| 7967 | 7927 | |
| 7969 | 7937 | |
| 7972 | 7985 | |
| | 9882 | |
| | 9985 | |

STELLOS

| Downlight | Adjustable | Wall Wash |
|-----------|------------|-----------|
| 1177 | 1054 | 9850 |
| 1188 | 1057 | 9998 |
| 1377 | 1058 | |
| 1388 | 1059 | |
| 1577 | 2230 | |
| 1588 | 7851 | |
| 2288 | 9011 | |
| 3388 | 9450 | |
| 8354 | 9650 | |
| 8357 | | |
| 8358 | | |
| 8359 | | |
| 9354 | | |
| 9357 | | |
| 9358 | | |
| 9359 | | |

ORDERING INFORMATION

| Housing | Voltage | Accessories |
|--------------------------------------|-------------|----------------------------------|
| 50RM | 120V | CB27 - 27" C-Channel Bars |
| New Construction / Remote Housing | 277V | CB52 - 52" C-Channel Bars |
| for 4 5/16" Sliver and Stellos Trims | | |
| 50W max. | | |

| How to Specify | 50RM | Voltage | Accessories |
|----------------|---------|-----------|---------------|
| | Housing | - Voltage | - Accessories |



USA Illumination™
www.usaillumination.com
info@usaillumination.com

1126 River Road
New Windsor, NY 12553

T 845-565-8500
F 845-561-1130

©2009, USAI, LLC.
All rights reserved.
All designs protected by copyright.