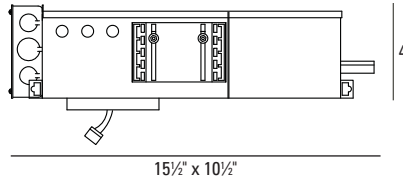


Recessed Housing Low Voltage

50TWCP

**New Construction / Chicago Plenum Rated
For 4-5/16" Sliver and Stellos Trims**



HOUSING INFORMATION

APPLICATION:

For use with USAI trims rated up to 50W.

MATERIALS:

Housing: Fabricated of 20 ga. galvanized steel with thru wire J-box, 4 in 4 out at min. 90°C, #12 AGW thru branch circuit wiring.

Aperture Plate: 20 ga. steel 1/2" plaster stop, 4 3/8" opening for below ceiling access to electrical components and access to thru wiring splices.

LAMPS: (not included)

50W max. MR16 GU5.3.

MOUNTING:

Butterfly brackets and adjustable nailer bars with integral nails provided. Nailer bars are extendible from 14" to 24" centers.

VOLTAGE:

Specify 120V or 277V.

TRANSFORMER:

Magnetic toroidal-HPF.

Note: Due to transformer / dimmer match some dimmers may cause transformer hum.

Check with dimmer manufacturer for suitability.

THERMAL PROTECTOR:

Provided as standard.

SOCKET:

Porcelain construction with 18 ga., 250°C SF-2 sleeved leads. Sized for MR16 halogen 12V lamps. Bi-pin base GU5.3.

LISTINGS:

Dry/damp/wet under covered ceiling. Some trims may not be applicable with wet listing. See specific trim spec sheets for trims that apply. Chicago Plenum rated.



IBEW union made.

CEILING CUT OUT:

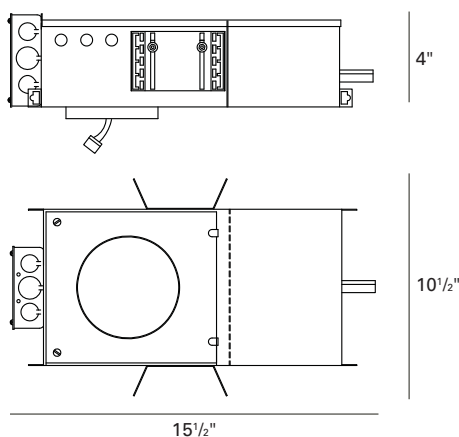
4 3/8" Ø

NOTES:

- Maximum ceiling thickness 1 inch. Consult factory for other ceiling conditions.

DIMENSIONS

New Construction / Chicago Plenum Rated



COMPATIBLE TRIMS

SLIVER

Downlight	Adjustable	Wall Wash
7862	7827	4898
7867	7837	4899
7869	7882	5898
7872	7885	5899
7967	7927	
7969	7937	
7972	7985	
	9882	
	9985	

STELLOS

Downlight	Adjustable	Wall Wash
1177	1054	9850
1188	1057	9998
1377	1058	
1388	1059	
1577	2230	
1588	7851	
2288	9011	
3388	9450	
8354	9650	
8357		
8358		
8359		
9354		
9357		
9358		
9359		

ORDERING INFORMATION

Housing	- Voltage	- Accessories
50TWCP	120V	CB27 - 27" C-Channel Bars
New Construction / Chicago Plenum Rated Housing for 4 5/16" Sliver and Stellos Trims	277V	CB52 - 52" C-Channel Bars
50W max.		

How to Specify	50TWCP	-	-
	Housing	- Voltage	- Accessories



USA Illumination™
www.usaillumination.com
info@usaillumination.com

1126 River Road
New Windsor, NY 12553

T 845-565-8500
F 845-561-1130

©2009. USAI, LLC.
All rights reserved.
All designs protected by copyright.