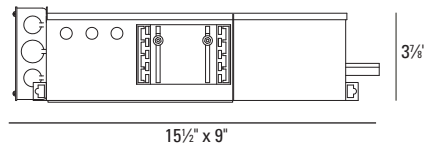


Recessed Housing Low Voltage

75TWLR

New Construction
For 4-5/16" Round Trimless Sliver Trims



HOUSING INFORMATION

APPLICATION:

For use with USAI trims rated up to 75W.

MATERIALS:

Housing: Fabricated of 20 ga. galvanized steel with thru wire J-box, 4 in 4 out at min. 90°C, #12 AGW thru branch circuit wiring.
 Aperture Plate: 20 ga. steel 1/2" plaster stop, 4^{3/8}" opening for below ceiling access to electrical components and access to thru wiring splices.

LAMPS: (not included)

75W max. MR16 GU5.3.

MOUNTING:

Butterfly brackets and adjustable nailer bars with integral nails provided. Nailer bars are extendible from 14" to 24" centers.

VOLTAGE:

Specify 120V or 277V.

TRANSFORMER:

Magnetic toroidal-HPF. Low voltage solid state optionally available (consult factory).
 Note: Due to transformer / dimmer match some dimmers may cause transformer hum.
 Check with dimmer manufacturer for suitability.

THERMAL PROTECTOR:

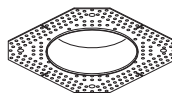
Provided as standard.

SOCKET:

Porcelain construction with 18 ga., 250°C SF-2 sleeved leads. Sized for MR16 halogen 12V lamps. Bi-pin base GU5.3.

SPACKLE COLLAR:

Supplied with trimless spackle collar for square trim.



LISTINGS:

Dry/damp location.



IBEW union made.

CEILING CUT OUT:

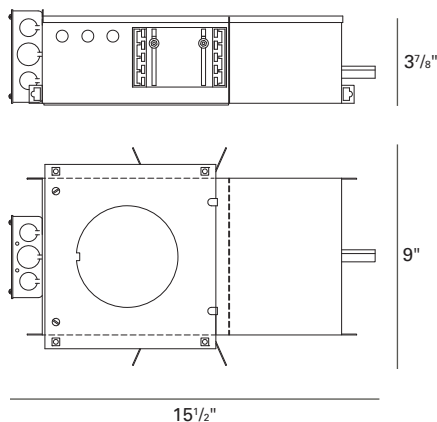
4^{3/8}" Ø

NOTES:

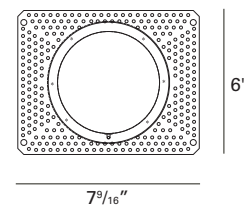
- Maximum ceiling thickness 1 inch. Consult factory for other ceiling conditions.
- Not for use in acoustical ceilings.

DIMENSIONS

New Construction



Spackle Collar



COMPATIBLE TRIMS

SLIVER

Downlight	Adjustable	Wall Wash
7862	7827	5898
7867	7837	5899
7869	7882	
7872	7885	
	9882	

ORDERING INFORMATION

Housing	- Voltage	- Accessories
75TWLR	120V	CB27 - 27" C-Channel Bars
New Construction Housing	277V	CB52 - 52" C-Channel Bars
for 4 ^{5/16} " Trimless Round Sliver Trims		ER - Emergency Relay
75W max.		

How to Specify	75TWLR	-	-
	Housing	- Voltage	- Accessories



USA Illumination™
 www.usaillumination.com
 info@usaillumination.com

1126 River Road
 New Windsor, NY 12553

T 845-565-8500
 F 845-561-1130

© 2009, USAI, LLC.
 All rights reserved.
 All designs protected by copyright.