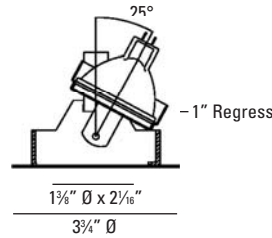


# Sliver Low Voltage Halogen

# 7852

## Adjustable



For trimless application add 325CCR

### LUMINAIRE INFORMATION

#### APPLICATION:

Accent luminaire for Residential, Commercial, Retail or Hospitality environments.

#### MATERIALS:

Trim: Die cast aluminum / steel. Torsion spring mounting.  
Lens: Clear.

**LAMP:** (not included) When using IR lamps, 37W Max.  
(1) 50W max. MR16 GU5.3

#### TRANSFORMER:

Low voltage solid state electronic.

Note: Due to transformer / dimmer match some dimmers may cause transformer hum. Check with dimmer manufacturer for suitability.

#### ADJUSTMENT:

360° horizontal and 25° vertical tilt.

40° tilt available, consult factory for details.

#### VOLTAGE:

Specify 120V or 277V.

### HOUSING INFORMATION

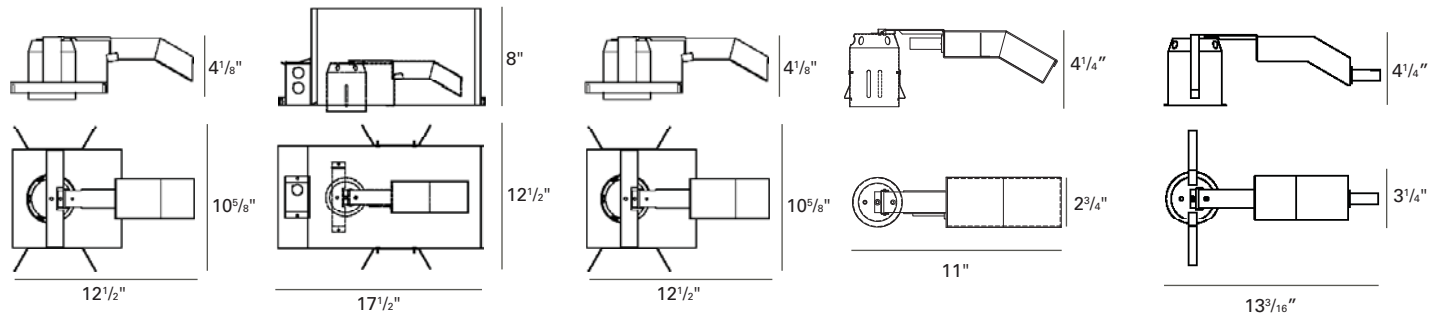
New Construction  
**325NC**

IC/Airtight  
**325IC**

Remote Transformer  
**325RM**

Retrofit  
**325RT-35** (35W max.)

Retrofit  
**325RT-50**



### HOW TO SPECIFY

Trim	Finish	Housing	Voltage	Accessories
7852				
7852 Sliver Adjustable Oval Slot, 50W Max. MR16 GU5.3	10 - White 12 - Brushed Stainless Steel 21 - Black 22 - Textured White 28 - Metalized Grey	325NC - New Construction 325IC - IC/Airtight 325RM - Remote Transformer 325RT-35 - Retrofit (35W max.) 325RT-50 - Retrofit	120V 277V	8177A - Hex Cell Louver 9143A - Frosted Lens 9153A - Anti UV Filter 9155A - Linear Spread Lens 9156A - Prismatic Spread Lens 9157A - Solite Lens 9199A - Frosted Borosilicate Lens ER - Emergency Relay 325CCR - Trimless Adapter

#### CEILING CUT OUT:

3 3/8" Ø

#### LISTINGS:

Dry/damp location.

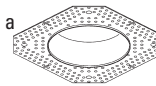


IC/Airtight housing meets Washington state airflow requirement and ASTM E283.

IBEW union made.

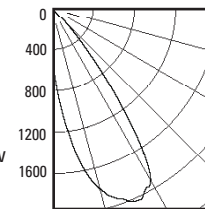
#### NOTES:

- Maximum ceiling thickness 1 inch. Consult factory for other ceiling conditions.
- Maximum 2 lens options (size A).
- Use 325CCR trimless adapter for a smooth flush Sliver installation.



#### PHOTOMETRICS:

Distribution chart



LTL No.: 14463.ies  
50W MR16 GU5.3 40°  
(tilted 25°)  
Clear lens  
62.5% Efficiency