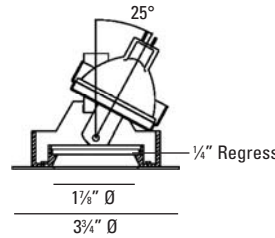


Sliver Low Voltage Halogen

7865

Adjustable



For trimless application add 325CCR

LUMINAIRE INFORMATION

APPLICATION:

Accent luminaire for Residential, Commercial, Retail or Hospitality environments.

MATERIALS:

Trim: Die cast aluminum / steel. Torsion spring mounting.
Lens: Clear.

LAMP: (not included) When using IR lamps, 37W Max.
(1) 50W max. MR16 GU5.3

TRANSFORMER:

Low voltage solid state electronic.

Note: Due to transformer / dimmer match some dimmers may cause transformer hum. Check with dimmer manufacturer for suitability.

ADJUSTMENT:

360° horizontal and 25° vertical tilt. 40° tilt available, consult factory.

VOLTAGE:

Specify 120V or 277V.

CEILING CUT OUT:

3 3/8" Ø

LISTINGS:

Dry/damp/wet under covered ceiling.
Not wet listed for flush (325CCR) installation.

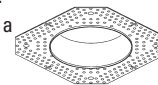


IC/Airtight housing meets Washington state airflow requirement and ASTM E283.

IBEW union made.

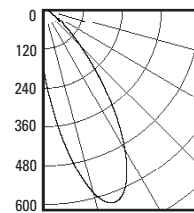
NOTES:

- Maximum ceiling thickness 1 inch. Consult factory for other ceiling conditions.
- Maximum 2 lens options (size B).
- Use 325CCR trimless adapter for a smooth flush Sliver installation.



PHOTOMETRICS:

Distribution chart



LTN No.: 13823.ies
50W MR16 GU5.3 40°
(tilted 25°)
Clear lens
54.8% Efficiency

HOUSING INFORMATION

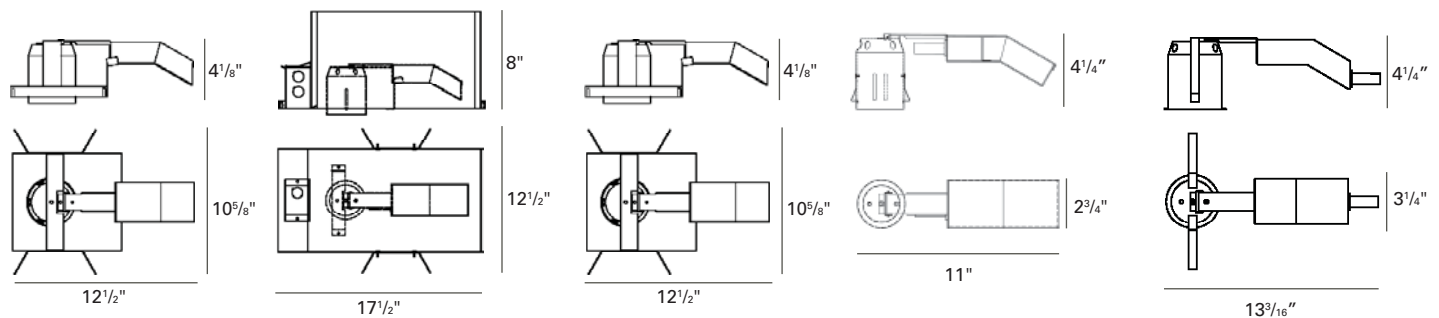
New Construction
325NC

IC/Airtight
325IC

Remote Transformer
325RM

Retrofit
325RT-35 (35W max.)

Retrofit
325RT-50



HOW TO SPECIFY

Trim	Finish	Housing	Voltage	Accessories
7865				
7865 Sliver Adjustable, 50W Max. MR16 GU5.3	10 - White 12 - Brushed Stainless Steel 21 - Black 22 - Textured White 28 - Metalized Grey	325NC - New Construction 325IC - IC/Airtight 325RM - Remote Transformer 325RT-35 - Retrofit (35W max.) 325RT-50 - Retrofit	120V 277V	8177B - Hex Cell Louver 9143B - Frosted Lens 9153B - Anti UV Filter 9155B - Linear Spread Lens 9156B - Prismatic Spread Lens 9157B - Solite Lens 9199B - Frosted Borosilicate Lens ER - Emergency Relay 325CCR - Trimless Adapter