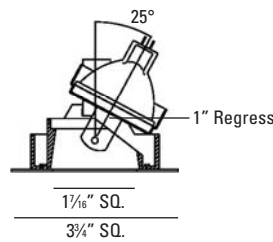


Sliver Low Voltage Halogen

Adjustable



7957 7959 7975



For trimless application add 325CCS

LUMINAIRE INFORMATION

APPLICATION:

Accent luminaire for Residential, Commercial, Retail or Hospitality environments.

MATERIALS:

Trim: Die cast aluminum / steel. Torsion spring mounting.

Lens: Clear.

7957 - Chrome cone

7959 - White cone

7975 - Vertical groove black baffle

LAMP: (not included) When using IR lamps, 37W Max.

(1) 50W max. MR16 GU5.3

TRANSFORMER:

Low voltage solid state electronic.

Note: Due to transformer / dimmer match some dimmers may cause transformer hum. Check with dimmer manufacturer for suitability.

ADJUSTMENT:

360° horizontal in 90° increments and 25° vertical tilt.

40° tilt available, consult factory.

VOLTAGE:

Specify 120V or 277V.

CEILING CUT OUT:

3 3/8" Ø

LISTINGS:

Dry/damp location.



IC/Airtight housing meets Washington state airflow requirement and ASTM E283.

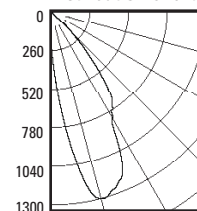
IBEW union made.

NOTES:

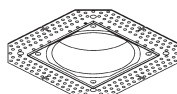
- Maximum ceiling thickness 1 inch. Consult factory for other ceiling conditions.
- Maximum 2 lens options (size A).
- Use 325CCS trimless adapter for a smooth flush Sliver installation.

PHOTOMETRICS:

Distribution chart



LTL No.: 13821.ies
50W MR16 GU5.3 36° (tilted 25°)
Clear lens
43.8% Efficiency



HOUSING INFORMATION

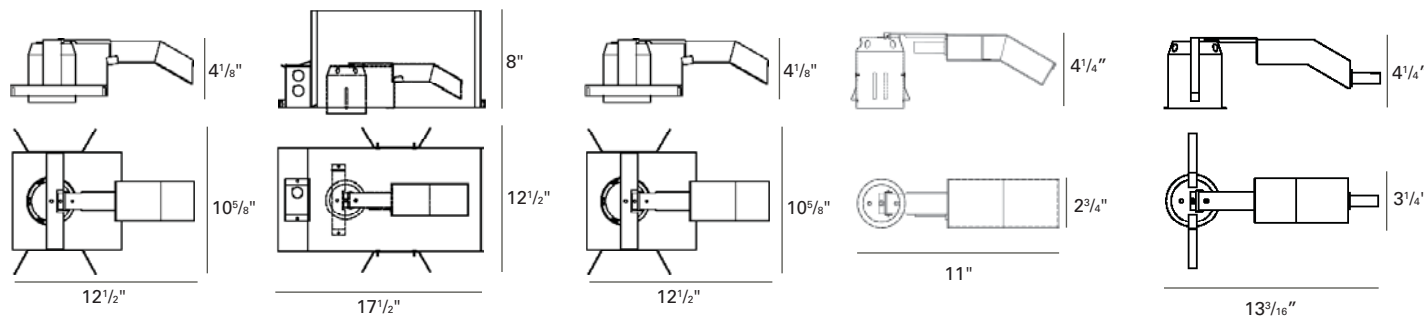
New Construction
325NC

IC/Airtight
325IC

Remote Transformer
325RM

Retrofit
325RT-35 (35W max.)

Retrofit
325RT-50



HOW TO SPECIFY

Trim	Finish	Housing	Voltage	Accessories
<p>7957 - Chrome Cone</p> <p>7959 - White Cone</p> <p>7975 - Vertical Groove Black Baffle</p> <p>Sliver</p> <p>Adjustable,</p> <p>50W Max. MR16 GU5.3</p>	<p>10 - White</p> <p>12 - Brushed Stainless Steel</p> <p>21 - Black</p> <p>22 - Textured White</p> <p>28 - Metalized Grey</p>	<p>325NC - New Construction</p> <p>325IC - IC/Airtight</p> <p>325RM - Remote Transformer</p> <p>325RT-35 - Retrofit (35W max.)</p> <p>325RT-50 - Retrofit</p>	<p>120V</p> <p>277V</p>	<p>8177A - Hex Cell Louver</p> <p>9143A - Frosted Lens</p> <p>9153A - Anti UV Filter</p> <p>9155A - Linear Spread Lens</p> <p>9156A - Prismatic Spread Lens</p> <p>9157A - Solite Lens</p> <p>9199A - Frosted Borosilicate Lens</p> <p>ER - Emergency Relay</p> <p>325CCS - Trimless Adapter</p>