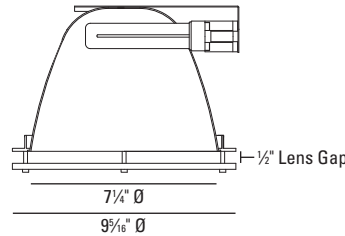


# SOLARIS Compact Fluorescent

## Downlight



# 9423 9424



### LUMINAIRE INFORMATION

#### APPLICATION:

Accent luminaire for Residential, Commercial, Retail or Hospitality environments.

#### MATERIALS:

Trim: Die cast aluminum.  
 Housing: Fabricated of 20 ga. galvanized steel with external thru wire J-box, 4 in 4 out at min. 90°C, #12 AGW thru branch circuit wiring.  
 Housing and trim supplied as one complete unit.  
 Reflector: Specular precision molded polycarbonate.  
 Suspended Glass: (Specify)

- SL - Soda Lime
- BO - Borosilicate

#### Glass Finish: (Specify)

- AC - All Clear
- AF - All Frosted
- CC - Clear Center
- FC - Frosted Center

#### LAMP: (not included)

- 9423 - (2) 26W Quad G24q-2
- 9424 - (2) 18W Quad G24q-3

#### MOUNTING:

Butterfly brackets and adjustable nailer bars with integral nails provided. Nailer bars are extendible from 14" to 24" centers.

#### VOLTAGE:

Specify 120V, 277V or 347V.

#### BALLAST:

Solid state electronic.  
 Note: Due to ballast / dimmer match some dimmers may cause ballast hum. Check with dimmer manufacturer for suitability.

#### CEILING CUT OUT:

8 3/4" Ø

#### LISTINGS:

Dry/damp location.



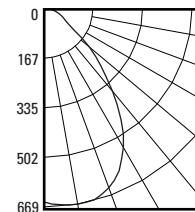
IBEW union made.

#### NOTES:

- Housing included with trim.
- Maximum ceiling thickness 1 inch.  
 Consult factory for other ceiling conditions.

#### PHOTOMETRICS:

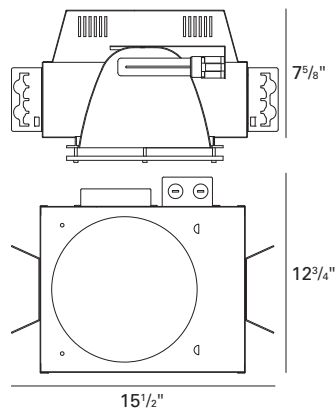
Distribution chart



LTL No.: 08473.ies  
 Trim No.: 9423  
 (2) 26W Triple GX24q-X  
 Frosted center glass

### HOUSING INFORMATION

New Construction



### ORDERING INFORMATION

Trim	Finish	Suspended Glass	Glass Finish	Voltage	Accessories
9423 - (2) 26W Quad G24q-2	10 - White	SL - Soda Lime	AC - All Clear	120V	CB27 - 27" C-Channel Bars
9424 - (2) 18W Quad G24q-3	21 - Black	BO - Borosilicate	AF - All Frosted	277V	CB52 - 52" C-Channel Bars
Solaris	28 - Metalized Grey		CC - Clear Center	347V	DIM - Dimming Ballast (consult factory)
Downlight			FC - Frosted Center		EM - Emergency Battery EM is 650 lumens max. Note that housing size may differ. Consult factory.

#### How to Specify

Trim - Finish - Suspended Glass - Glass Finish - Voltage - Accessories



USA Illumination™  
 www.usaillumination.com  
 info@usaillumination.com

1126 River Road  
 New Windsor, NY 12553

T 845-565-8500  
 F 845-561-1130

©2009. USAI, LLC.  
 All rights reserved.  
 All designs protected by copyright.