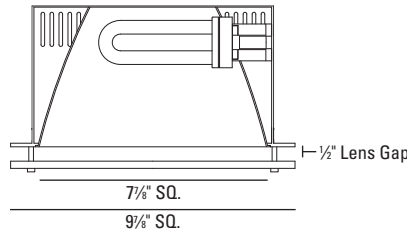


SOLARIS Compact Fluorescent

9465

Downlight



LUMINAIRE INFORMATION

APPLICATION:

Accent luminaire for Residential, Commercial, Retail or Hospitality environments.

MATERIALS:

Trim: Die cast aluminum.
 Housing: Fabricated of 20 ga. galvanized steel with external thru wire J-box, 4 in 4 out at min. 90°C, #12 AGW thru branch circuit wiring.
 Housing and trim supplied as one complete unit.
 Reflector: Specular precision molded polycarbonate.
 Suspended Glass: (Specify)

- SL - Soda Lime
- BO - Borosilicate

Glass Finish: (Specify)

- AC - All Clear
- AF - All Frosted
- CC - Clear Center
- FC - Frosted Center

LAMP: (not included)

(2) 26W or 32W Triple GX24q-3

MOUNTING:

Butterfly brackets and adjustable nailer bars with integral nails provided. Nailer bars are extendible from 14" to 24" centers.

VOLTAGE:

Specify 120V, 277V or 347V.

BALLAST:

Solid state electronic.
 Note: Due to ballast / dimmer match some dimmers may cause ballast hum. Check with dimmer manufacturer for suitability.

CEILING CUT OUT:

9 1/4" x 9 1/4"

LISTINGS:

Dry/damp location.



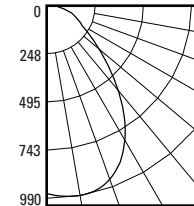
IBEW union made.

NOTES:

- Housing included with trim.
- Maximum ceiling thickness 1 inch. Consult factory for other ceiling conditions.

PHOTOMETRICS:

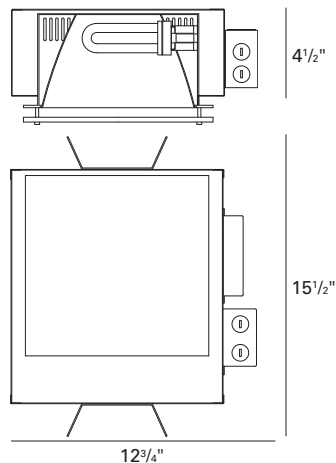
Distribution chart



File No.: 9465.ies
 (2) 26W Triple GX24q-3
 Frosted center glass
 58.5% Efficiency

HOUSING INFORMATION

New Construction



ORDERING INFORMATION

Trim	Finish	Suspended Glass	Glass Finish	Voltage	Accessories
9465	10 - White	SL - Soda Lime	AC - All Clear	120V	CB27 - 27" C-Channel Bars
Solaris	21 - Black	BO - Borosilicate	AF - All Frosted	277V	CB52 - 52" C-Channel Bars
Downlight	28 - Metalized Grey		CC - Clear Center	347V	DIM - Dimming Ballast (consult factory)
(2) 26W / 32W Triple GX24q-3			FC - Frosted Center		EM - Emergency Battery EM is 650 lumens max. Note that housing size may differ. Consult factory.

How to Specify

9465	—	—	—	—	—
Trim	—	Finish	—	Suspended Glass	—
	—	Glass Finish	—	Voltage	—
	—	Accessories			



USA Illumination™
 www.usaillumination.com
 info@usaillumination.com

1126 River Road
 New Windsor, NY 12553

T 845-565-8500
 F 845-561-1130

©2009. USAI, LLC.
 All rights reserved.
 All designs protected by copyright.