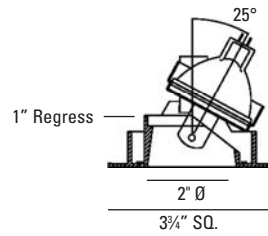


Stellos Low Voltage Halogen

9550

Adjustable



LUMINAIRE INFORMATION

APPLICATION:

Accent luminaire for Residential, Commercial, Retail or Hospitality environments.

MATERIALS:

Trim: Die cast aluminum with torsion spring mounting.
Vertical Groove Black Baffle
Lens: Clear

LAMP: (not included) When using IR lamps, 37W Max.
(1) 50W Max. MR16 GU5.3.

VOLTAGE:

Specify 120V or 277V.

TRANSFORMER:

Low voltage solid state electronic.

Note: Due to transformer / dimmer match some dimmers may cause transformer hum. Check with dimmer manufacturer for suitability.

ADJUSTMENT:

360° horizontal in 90° increments and 25° vertical tilt.

CEILING CUT OUT:

3³/₈" Ø

LISTINGS:

Dry/damp location.



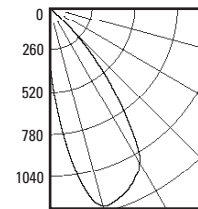
IC/Airtight housing meets Washington state airflow requirement and ASTM E283.
IBEW union made.

NOTES:

- Maximum ceiling thickness 1 inch.
Consult factory for other ceiling conditions.
- Maximum 2 lens options (size A).

PHOTOMETRICS:

Distribution chart



LTL No.: 13826.ies
50W MR16 GU5.3 40°
(tilted 25°)
Clear lens
58.8% Efficiency

HOUSING INFORMATION

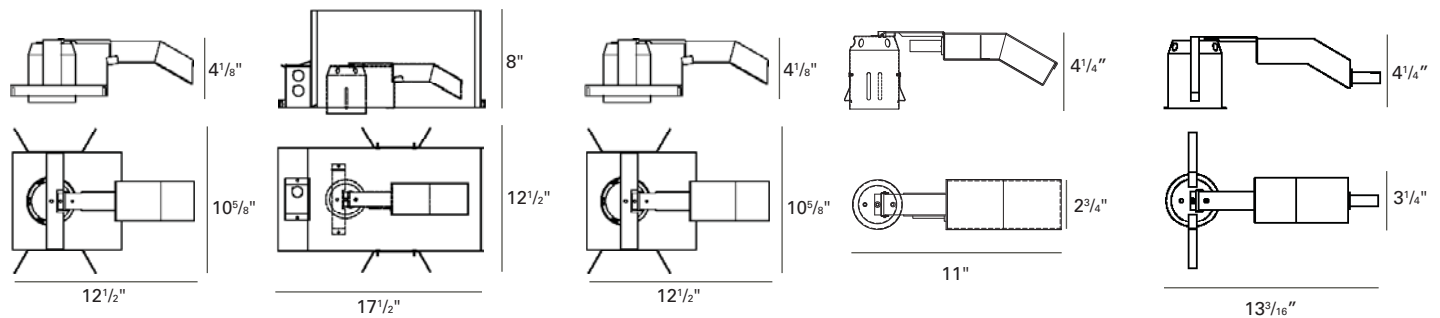
New Construction
325NC

IC/Airtight
325IC

Remote Transformer
325RM

Retrofit
325RT-35 (35W max.)

Retrofit
325RT-50



HOW TO SPECIFY

Trim	Finish	Housing	Voltage	Accessories
9550				
9550 - Vertical Groove Black Baffle Stellos Adjustable, 50W Max. MR16 GU5.3	10 - White 21 - Black 28 - Metalized Grey	325NC - New Construction 325IC - IC/Airtight 325RM - Remote Transformer 325RT-35 - Retrofit (35W max.) 325RT-50 - Retrofit	120V 277V	8177A - Hex Cell Louver 9143A - Frosted Lens 9153A - Anti UV Filter 9155A - Linear Spread Lens 9156A - Prismatic Spread Lens 9157A - Solite Lens 9199A - Frosted Borosilicate Lens ER - Emergency Relay