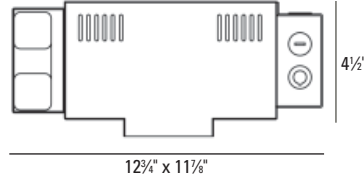


Bevel Housing Low Voltage

New Construction
For Bevel Square Adjustable 45° Trim 9373



HOUSING INFORMATION

APPLICATION:

For use with USAI Bevel Square low voltage adjustable 45° trim in New Construction only.

MATERIALS:

Housing: All-Ways Square® housing, fabricated of 20 ga. galvanized steel with external thru wire J-box, 2 in 2 out at min. 90°C, #12 AGW thru branch circuit wiring.

LAMP: (not included)

71W max. MR16 GU5.3.

MOUNTING:

Butterfly brackets and adjustable nailer bars with integral nails provided. Nailer bars are extendible from 14" to 24" centers.

VOLTAGE:

Specify 120V, 277V or 347V.

TRANSFORMER:

Low voltage magnetic toroidal-HPF.

Low voltage solid state optionally available (consult factory).

Note: Due to transformer / dimmer match some dimmers may cause transformer hum.

Check with dimmer manufacturer for suitability.

SOCKET:

Porcelain construction with 18 ga., 250°C SF-2 sleeved leads. Sized for MR16 halogen 12V lamps. Bi-pin base GU5.3.

LISTINGS:

Dry/damp/wet for under covered ceiling.



IBEW union made.

CEILING CUT OUT:

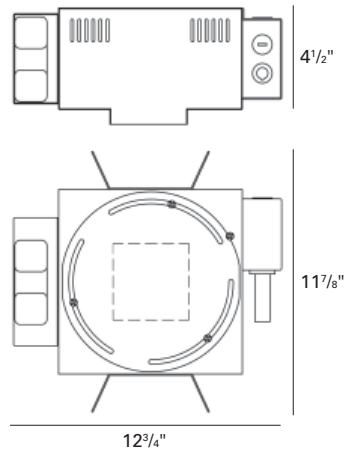
3 1/2" x 3 1/2"

NOTES:

- Maximum ceiling thickness 1 inch. Consult factory for other ceiling conditions.
- All-Ways Square® housing used with square Bevel, allows alignment of square apertures (up to 45° rotation) after housing installation prior to ceiling installation. Patent pending.

DIMENSIONS

New Construction



COMPATIBLE TRIM

BEVEL
Adjustable 45°
9373



ORDERING INFORMATION

Housing	- Voltage	- Accessories
BL101X-A	120V	CB27 - 27" C-Channel Bars
New Construction Housing	277V	CB52 - 52" C-Channel Bars
for use with Bevel Square	347V	ER - Emergency Relay
Adjustable 45° Trim 9373		
71W max. MR16 GU5.3.		

How to Specify	BL101X-A	-	-
	Housing	- Voltage	- Accessories



USA Illumination™
 www.usaillumination.com
 info@usaillumination.com

1126 River Road
 New Windsor, NY 12553

T 845-565-8500
 F 845-561-1130

©2009. USAI, LLC.
 All rights reserved.
 All designs protected by copyright.