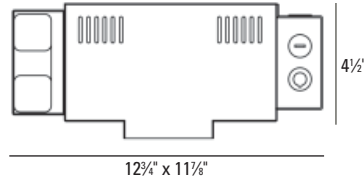


Bevel Housing Low Voltage

New Construction For Bevel Square Wall Wash Trim 9368



BL102-A



HOUSING INFORMATION

APPLICATION:

For use with USAI Bevel Square low voltage wall wash trim in New Construction only.

MATERIALS:

Housing: All-Ways Square® housing, fabricated of 20 ga. galvanized steel with external thru wire J-box, 2 in 2 out at min. 90°C, #12 AGW thru branch circuit wiring.

LAMP: (not included) When using IR lamps, 37W Max. 71W max. MR16 GU5.3.

MOUNTING:

Butterfly brackets and adjustable nailer bars with integral nails provided. Nailer bars are extendible from 14" to 24" centers.

VOLTAGE:

Specify 120V, 277V or 347V.

TRANSFORMER:

Low voltage magnetic toroidal-HPF.

Low voltage solid state optionally available (consult factory).

Note: Due to transformer / dimmer match some dimmers may cause transformer hum.

Check with dimmer manufacturer for suitability.

SOCKET:

Porcelain construction with 18 ga., 250°C SF-2 sleeved leads. Sized for MR16 halogen 12V lamps. Bi-pin base GU5.3.

LISTINGS:

Dry/damp/wet for under covered ceiling.



IBEW union made.

CEILING CUT OUT:

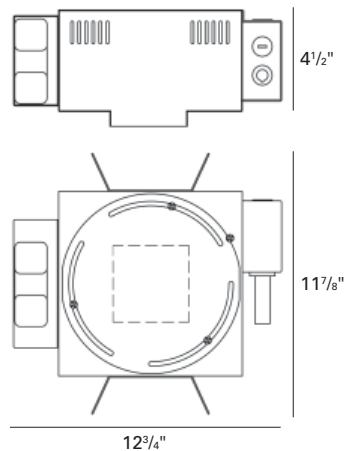
3 1/2" x 3 1/2"

NOTES:

- Maximum ceiling thickness 1 inch. Consult factory for other ceiling conditions.
- All-Ways Square® housing used with square Bevel, allows alignment of square apertures (up to 45° rotation) after housing installation prior to ceiling installation. Patent pending.

DIMENSIONS

New Construction



COMPATIBLE TRIM

BEVEL
Wall Wash
9368



HOW TO SPECIFY

Housing	- Voltage -	Accessories
BL102-A		
BL102-A New Construction Housing for use with Bevel Square Wall Wash Trim 9368 71W max. MR16 GU5.3	120V 277V 347V	CB27 - 27" C-Channel CB52 - 52" C-Channel ER - Emergency Relay