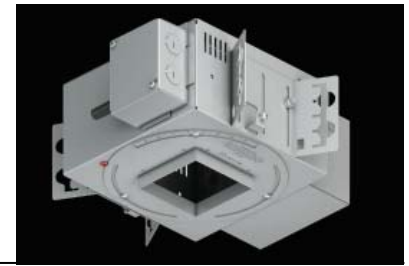
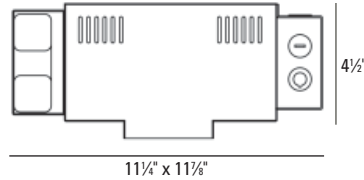


Bevel Housing Metal Halide

BL130-A

New Construction For Bevel Square Downlight Trim 1650



HOUSING INFORMATION

APPLICATION:

For use with USAI Bevel Square metal halide downlight trim in New Construction only.

MATERIALS:

Housing: All-Ways Square® housing, fabricated of 20 ga. galvanized steel with external thru wire J-box, 2 in 2 out at min. 90°C, #12 AGW thru branch circuit wiring.

LAMP: (not included)

39W MHMR16 GX10.

MOUNTING:

Butterfly brackets and adjustable nailer bars with integral nails provided. Nailer bars are extendible from 14" to 24" centers.

VOLTAGE:

Specify 120V or 277V.

BALLAST:

Solid state electronic.

Note: Due to ballast / dimmer match some dimmers may cause ballast hum.

Check with dimmer manufacturer for suitability.

SOCKET:

Porcelain construction with 18 ga., sleeved leads. Accepts 39W MHMR16 lamps, GX10 base.

LISTINGS:

Dry/damp/wet for under covered ceiling.



IBEW union made.

CEILING CUT OUT:

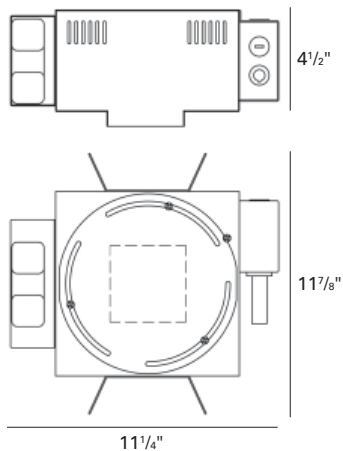
3 1/2" x 3 1/2"

NOTES:

- Maximum ceiling thickness 1 inch. Consult factory for other ceiling conditions.
- All-Ways Square® housing used with square Bevel, allows alignment of square apertures (up to 45° rotation) after housing installation prior to ceiling installation. Patent pending.
- Not for use with ES16 lamps.

DIMENSIONS

New Construction



COMPATIBLE TRIM

BEVEL
Downlight
1650



ORDERING INFORMATION

Housing	- Voltage	- Accessories
BL130-A	120V	CB27 - 27" C-Channel Bars
New Construction Housing for use with Bevel Square Downlight Trim 1650	277V	CB52 - 52" C-Channel Bars
39W MHMR16 GX10.		

How to Specify	BL130-A	-	-
	Housing	- Voltage	- Accessories

USAI®

USA Illumination™
www.usaillumination.com
info@usaillumination.com

1126 River Road
New Windsor, NY 12553

T 845-565-8500
F 845-561-1130

©2009. USAI, LLC.
All rights reserved.
All designs protected by copyright.