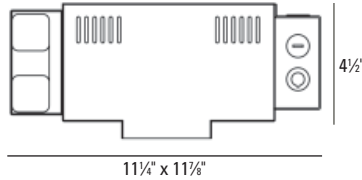


# Bevel Housing Metal Halide

**New Construction**  
**For Bevel Square Adjustable 45° Trim 1656**



# BL150X-A



## HOUSING INFORMATION

### APPLICATION:

For use with USAI Bevel Square metal halide adjustable 45° trim in New Construction only.

### MATERIALS:

Housing: All-Ways Square® housing, fabricated of 20 ga. galvanized steel with external thru wire J-box, 2 in 2 out at min. 90°C, #12 AGW thru branch circuit wiring.

### LAMP: (not included)

39W MHMR16 GX10.

### ADJUSTMENT:

Hot aiming self locking rack and pinion 45° vertical adjustment and 15° tilt. Slide lock tab for locking horizontal rotation at 90° increments.

### MOUNTING:

Butterfly brackets and adjustable nailer bars with integral nails provided. Nailer bars are extendible from 14" to 24" centers.

### VOLTAGE:

Specify 120V or 277V.

### BALLAST:

Solid state electronic.

Note: Due to ballast / dimmer match some dimmers may cause ballast hum.

Check with dimmer manufacturer for suitability.

### SOCKET:

Porcelain construction with 18 ga., sleeved leads. Accepts 39W MHMR16 lamps, GX10 base.

### LISTINGS:

Dry/damp/wet for under covered ceiling.



IBEW union made.

### CEILING CUT OUT:

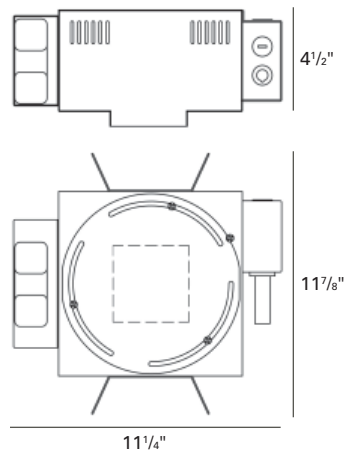
3 1/2" x 3 1/2"

### NOTES:

- Maximum ceiling thickness 1 inch. Consult factory for other ceiling conditions.
- All-Ways Square® housing used with square Bevel, allows alignment of square apertures (up to 45° rotation) after housing installation prior to ceiling installation. Patent pending.
- Not for use with ES16 lamps.

## DIMENSIONS

New Construction



## COMPATIBLE TRIM

### BEVEL

**Adjustable 45°**  
**1656**



## HOW TO SPECIFY

Housing	- Voltage -	Accessories
BL150X-A		
BL150X-A New Construction Housing for use with Bevel Square Adjustable 45° Trim 1656 39W MHMR16 GX10	120V 277V	CB27 - 27" C-Channel CB52 - 52" C-Channel