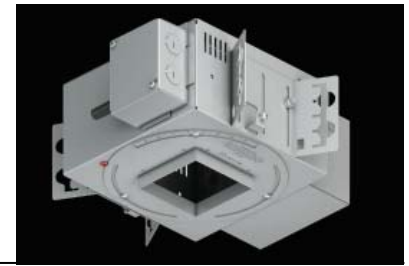
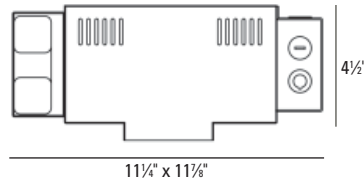


# Bevel Housing Metal Halide

# BL710-A

## New Construction For Bevel Square Downlight Trim 1650



### HOUSING INFORMATION

#### APPLICATION:

For use with USAI Bevel Square metal halide downlight trim in New Construction only.

#### MATERIALS:

Housing: All-Ways Square® housing, fabricated of 20 ga. galvanized steel with external thru wire J-box, 2 in 2 out at min. 90°C, #12 AGW thru branch circuit wiring.

#### LAMP: (not included)

20W MHMR16 GX10.

#### MOUNTING:

Butterfly brackets and adjustable nailer bars with integral nails provided. Nailer bars are extendible from 14" to 24" centers.

#### VOLTAGE:

Specify 120V or 277V.

#### BALLAST:

Solid state electronic.

Note: Due to ballast / dimmer match some dimmers may cause ballast hum.

Check with dimmer manufacturer for suitability.

#### SOCKET:

Porcelain construction with 18 ga., sleeved leads. Accepts 20W MHMR16 lamps, GX10 base.

#### LISTINGS:

Dry/damp/wet for under covered ceiling.



IBEW union made.

#### CEILING CUT OUT:

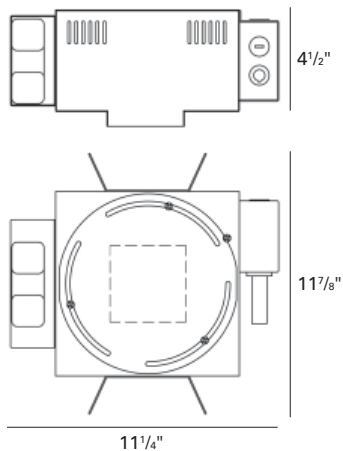
3 1/2" x 3 1/2"

#### NOTES:

- Maximum ceiling thickness 1 inch. Consult factory for other ceiling conditions.
- All-Ways Square® housing used with square Bevel, allows alignment of square apertures (up to 45° rotation) after housing installation prior to ceiling installation. Patent pending.
- Not for use with ES16 lamps.

### DIMENSIONS

New Construction



### COMPATIBLE TRIM

**BEVEL**  
**Downlight**  
1650



### ORDERING INFORMATION

Housing	- Voltage	- Accessories
<b>BL710-A</b>	<b>120V</b>	<b>CB27</b> - 27" C-Channel Bars
New Construction Housing for use with Bevel Square Downlight Trim 1650 20W MHMR16 GX10.	<b>277V</b>	<b>CB52</b> - 52" C-Channel Bars

How to Specify	<b>BL710-A</b>	-	-
	Housing	- Voltage	- Accessories

**USAI**®

USA Illumination™  
www.usaillumination.com  
info@usaillumination.com

1126 River Road  
New Windsor, NY 12553

T 845-565-8500  
F 845-561-1130

©2009. USAI, LLC.  
All rights reserved.  
All designs protected by copyright.