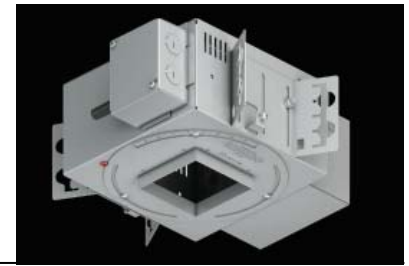
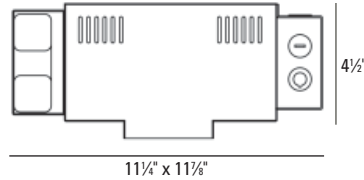


Bevel Housing Metal Halide

BL712-A

New Construction
For Bevel Square Adjustable 35° Trim 1653



HOUSING INFORMATION

APPLICATION:

For use with USAI Bevel Square metal halide adjustable 35° trim in New Construction only.

MATERIALS:

Housing: All-Ways Square® housing, fabricated of 20 ga. galvanized steel with external thru wire J-box, 2 in 2 out at min. 90°C, #12 AGW thru branch circuit wiring.

LAMP: (not included)

20W MHMR16 GX10.

ADJUSTMENT:

362° lockable horizontal rotation and 35° lockable vertical tilt.

MOUNTING:

Butterfly brackets and adjustable nailer bars with integral nails provided. Nailer bars are extendible from 14" to 24" centers.

VOLTAGE:

Specify 120V or 277V.

BALLAST:

Solid state electronic.

Note: Due to ballast / dimmer match some dimmers may cause ballast hum.

Check with dimmer manufacturer for suitability.

SOCKET:

Porcelain construction with 18 ga., sleeved leads. Accepts 20W MHMR16 lamps, GX10 base.

LISTINGS:

Dry/damp/wet for under covered ceiling.



IBEW union made.

CEILING CUT OUT:

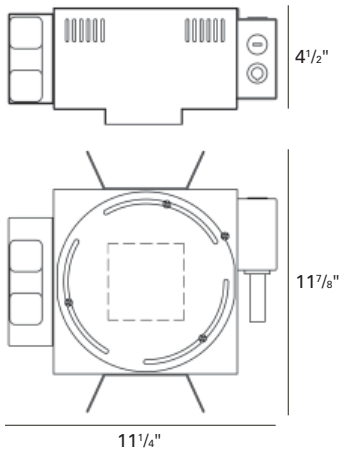
3 1/2" x 3 1/2"

NOTES:

- Maximum ceiling thickness 1 inch. Consult factory for other ceiling conditions.
- All-Ways Square® housing used with square Bevel, allows alignment of square apertures (up to 45° rotation) after housing installation prior to ceiling installation. Patent pending.
- Not for use with ES16 lamps.

DIMENSIONS

New Construction



COMPATIBLE TRIM

BEVEL

Adjustable 35°
1653



HOW TO SPECIFY

Housing	- Voltage -	Accessories
BL712-A		
BL712-A New Construction Housing for use with Bevel Square Adjustable 35° Trim 1653 20W MHMR16 GX10	120V 277V	CB27 - 27" C-Channel CB52 - 52" C-Channel