

HOUSING

100 HOUSING INSTALLATION

Accessible / Non-Accessible Ceilings

CAUTION READ BEFORE INSTALLATION:

- POWER MUST BE OFF BEFORE INSTALLING FIXTURE
- Lamps are VERY HOT and will cause burns
- NEVER TOUCH LAMPS after ignition, allow to cool.
- Hole cutouts must be extremely accurate
- Insulation must not be within 3" of housing sides or on top of housing in such a manor as to entrap heat.

Ceiling trim openings must be as accurate as possible.

100 Retrofit Housing

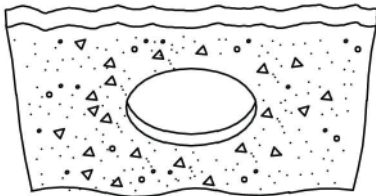
Ceiling Cutout: $4\frac{3}{8}" \text{ } \varnothing$

HOUSING INSTALLATION:

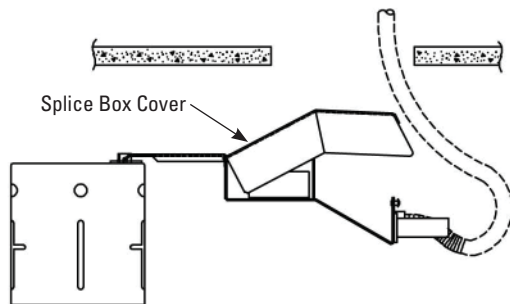
IMPORTANT:

- Insulation must not be within 3" of housing sides or on top of housing in such a manor as to entrap heat.
- An additional 12" of BX cable must be left above ceiling to allow servicing of fixture from below ceiling.

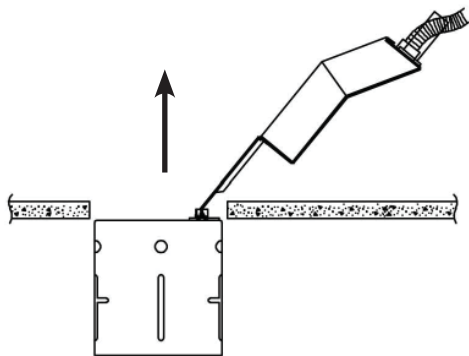
1. Cut a 4-3/8" hole in existing standard 5/8" ceiling.



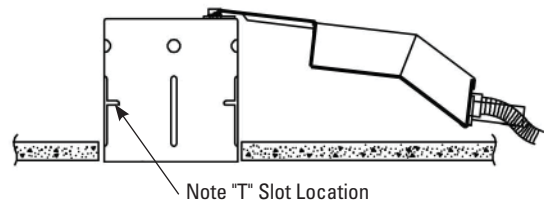
2. Loosen rear fastener to hinge splice box cover and make power supply



3. Insert housing on ceiling cutout and set resting on ceiling.



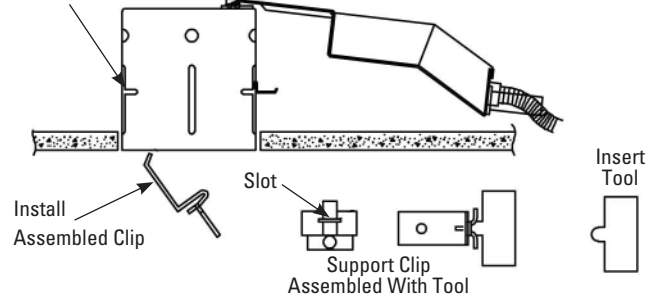
4. Install support clips thru "T" slots (2) places at 180° apart and support fixture in ceiling with (2) support clips supplied. See support clip installation in "Step 5".



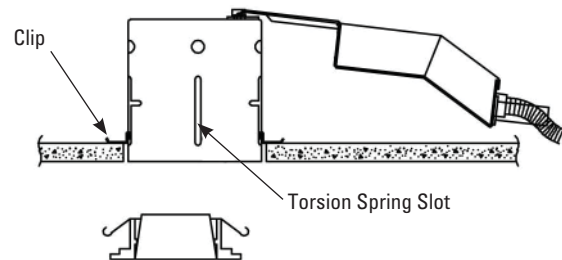
5. To install clips, engage insert tool into small slot thru back of clip and insert thru "T" slot.

6. Slide support clip down and remove tool. Repeat step on opposite side.

"T" Slot Location (2)



7. Trims are secured into housing with torsion springs. Install thru long slots on housing. Do not install into "T" slots. Once trim is installed, housing will be secured via torsion springs.



8. Lamp Fixture.