

HOUSING

50TW 75TW 50IC

HOUSING INSTALLATION

Accessible / Non-Accessible Ceilings

CAUTION READ BEFORE INSTALLATION:

- Power must be off before installing fixture.
- Lamps are **VERY HOT** and can cause severe burns.
NEVER TOUCH LAMPS after ignition, allow to cool.

Instructions for Housing Series:

50TW New Construction Ceiling Cutout: 4³/₈" Ø

75TW New Construction Ceiling Cutout: 4³/₈" Ø

50 ICN IC / Airtight Ceiling Cutout: 4³/₈" Ø

NOTE

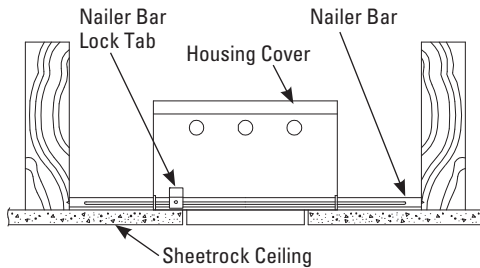
- Some electric dimmers may cause harmonic transformer noise.
- Check with dimmer manufacturer to ensure compatibility.

HOUSING INSTALLATION:

1. Mount fixture housing according to ceiling type.

NAILER BARS - STANDARD:

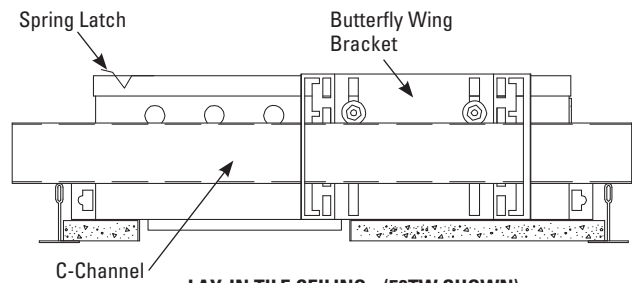
- Nailer bars are supplied as standard for sheetrock installations. Use nailer bar lock tabs to secure bars. (See below).



SHEETROCK CEILING - (50TW SHOWN) SHOWN

C-CHANNELS - OPTIONAL:

- C-channels are optionally available for lay-in type installations. To install C-channels, slide thru butterfly brackets over grid runners.

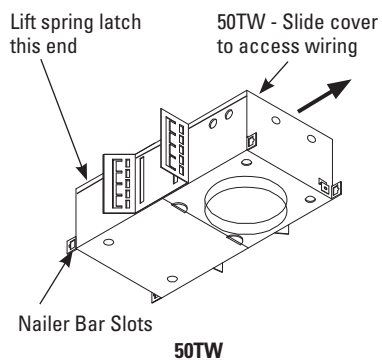


LAY-IN TILE CEILING - (50TW SHOWN)

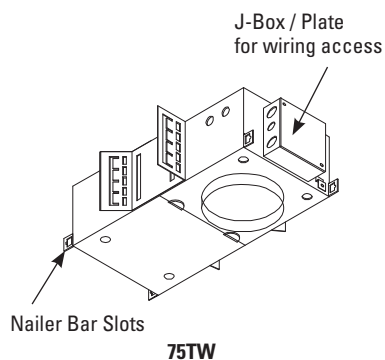
2. To install power cable conduit:

For 50TW housing splice box access: Lift spring latch on cover top to allow top cover to slide across housing exposing splice box.

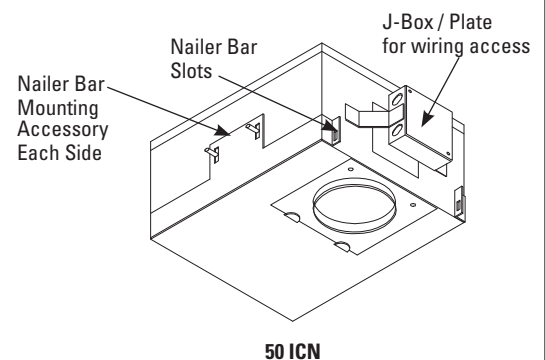
For 75TW and 50IC J-Box access: Unscrew 4" x 4" plate.



50TW



75TW



50 ICN

3. Make power supply connections in housing J-box compartment. Re-install J-box plate or housing cover and secure.

4. Let socket hang down thru ceiling cut out.

5. Install lamp accordingly.

6. Insert trim according to appropriate trim installation instructions.