

Solaris

HOUSING INSTALLATION

Accessible / Non-Accessible Ceilings

CAUTION READ BEFORE INSTALLATION:

- Power must be off before installing fixture.
- Lamps are VERY HOT and can cause severe burns.
NEVER TOUCH LAMPS after ignition, allow to cool.

Ceiling trim openings must be as accurate as possible.

For Solaris Square: 1465 and 9465

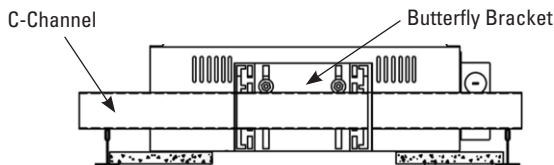
Ceiling Cutout: 9-1/4" x 9-1/4"

HOUSING INSTALLATION:

1. Mount fixture housing according to ceiling type.

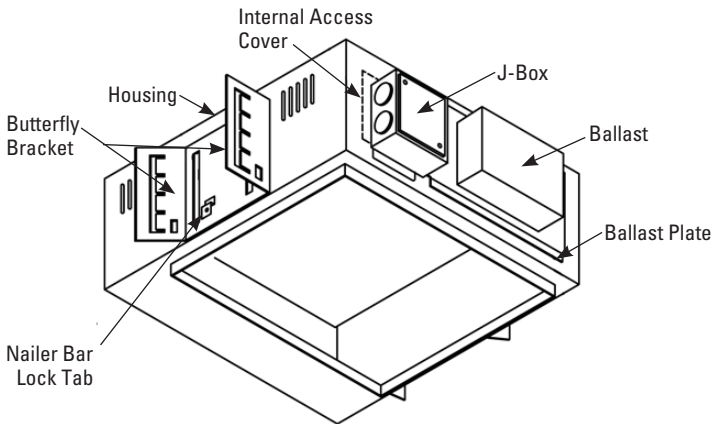
C-CHANNELS:

- C-channels (optional) are available for lay-in type installations. To install C-channels, butterfly bracket must be assembled to housing frame on each side.



NAILER BARS:

- Nailers bars are supplied for sheetrock installations. To install nailer bars, slide bars thru slots in butterfly brackets.



2. Install power cable conduit to J-box and secure.
3. Make power supply connections in housing J-box compartment and re-install J-box plate.
4. Bring trim assembly to ceiling opening and mate socket connector harness.
5. Install trim assembly into housing, see instructions below.
6. Lamp fixture according to lamp type.

NOTE: On drop glass models unsecure chrome cap nuts and carefully remove glass. Re-install after lamping.

TO INSPECT WIRING:

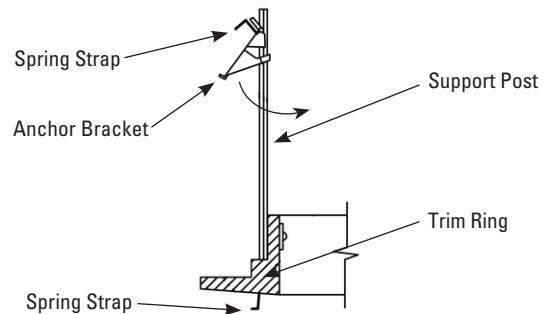
Remove internal access cover to reveal J-Box connections.

TO REMOVE BALLAST:

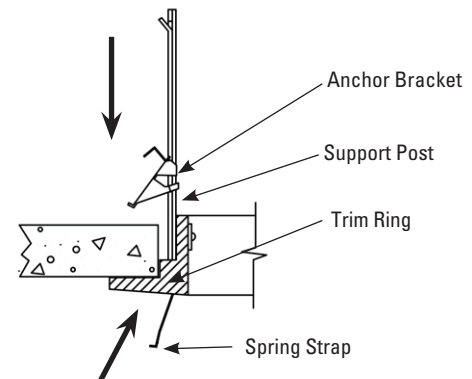
Disconnect J-Box splices and socket connector, remove 8-32 screw on top securing plate and hinge plate inward.

MOLLABLOK INSTRUCTIONS:

1. With trim in hand, anchor bracket must be raised up and pushed inward, flush against Mollablok support post.



2. Next install trim into housing. Pull spring strap down with pliers securely sandwiching trim between ceiling and Mollablok.



3. Once trim is secure, push spring latch up into trim ring.

