

# HOUSING

325NC 325RM 325RT-35

## HOUSING INSTALLATION

Accessible / Non-Accessible Ceilings

### CAUTION READ BEFORE INSTALLATION:

- POWER MUST BE OFF BEFORE INSTALLING FIXTURE
- An additional 12" of power supply cable must be left on splice box to allow fixture to slide below ceiling
- Hole cutouts must be extremely accurate
- Housings require min 5-1/2" clearance above ceiling.

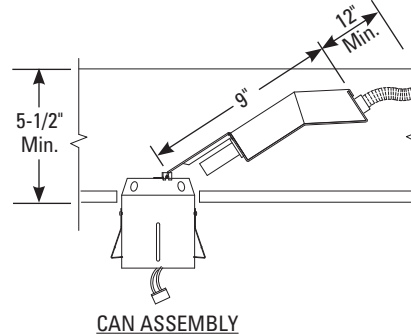
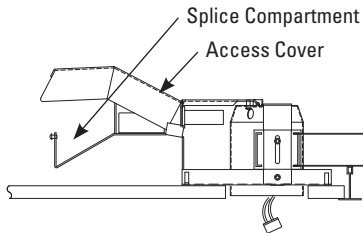
### Instructions for Housing Series:

325NC New Construction  
325RM Remote Transformer  
325RT-35 Retrofit

Ceiling Cutout for all 325 Series Housings: 3<sup>3</sup>/<sub>8</sub>" Ø

### HOUSING INSTALLATION:

1. Mount plaster frame according to ceiling type.  
C-channels are available for lay-in tile installations and must be ordered as an option.  
Nailer bars are supplied as standard mounting and for use in sheetrock installations.
2. Hinge open or remove access cover by loosening screw.
3. Make power supply connections in splice compartment.  
Re-install access cover and secure.



4. Housings are shipped for nominal 5/8" ceilings. It may be necessary to adjust for thicker ceilings. Maximum ceiling thickness 1".  
See instructions below for **CEILING ADJUSTMENT**.

### CEILING ADJUSTMENT:

#### NEW CONSTRUCTION HOUSINGS:

**NOTE:** Can height must be adjusted before installation

1. Loosen and back out 8-32 lock screw.
2. Remove 8-32 stud lock nut.
3. Drop housing can down to ceiling edge and rotate thumb nut stop until even with can top to set height.
4. Secure 8-32 nut on stud and tighten lock screw.

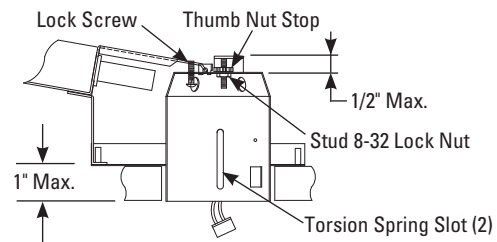
#### RETROFIT HOUSINGS:

**NOTE:** Springs must be adjusted before installation

1. Loosen (3) 4-40 screws securing lever springs.
2. Position springs on can and set according to ceiling height and re-secure.
3. Push fixture into ceiling opening until leveler springs engage onto ceiling and can lip is flush and tight.

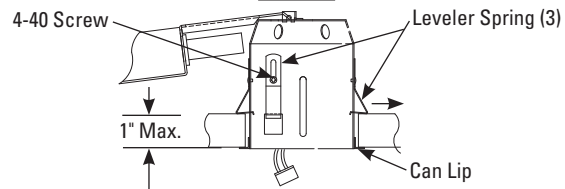
#### NEW CONSTRUCTION CEILING ADJUSTMENT

Remove lock nut and screw to slide can assembly below ceiling for transformer / splice access



#### RETROFIT HOUSING CEILING ADJUSTMENT

325RT-35



**NOTE:** To service transformer and splices, remove trim. Loosen and remove 8-32 lock screw and 8-32 lock nut. Slide fixture down thru ceiling opening.  
To install - reverse procedure. For RT series, pry (3) springs together and pull unit down.

5. Bring trim to ceiling, pull socket thru trim opening and let hang. Squeeze (2) torsion springs simultaneously together, align with slots in housing can and release to install. Some trims use (2) "Jam" springs - in this case, force the springs up into can until trim is flush with the ceiling.
6. Install lamp.