

TRIM & LAMPING

INSTALLATION

Stellos / Sliver / HX

CAUTION READ BEFORE INSTALLATION:

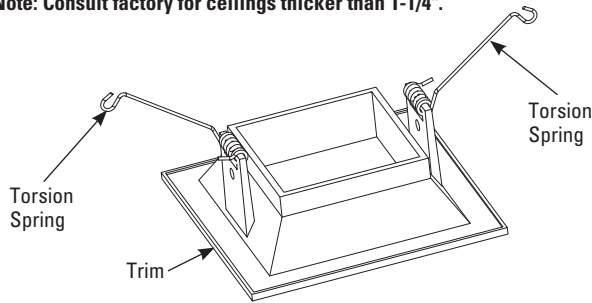
- Power must be off before lamping.
- Lamps are extremely hot and will cause severe burns.
- Never touch lamps after ignition. Allow to cool first.

FLANGED TRIM INSTALLATION:

TORSION SPRING STYLE TRIMS (STELLOS / SLIVER / HX)

Install trim assembly by squeezing the two torsion springs together upward into aperture opening. Trim flange should be flush to ceiling when properly installed. Minimum 5/8" ceiling thickness is required to load springs forcing trim flange against ceiling flush.

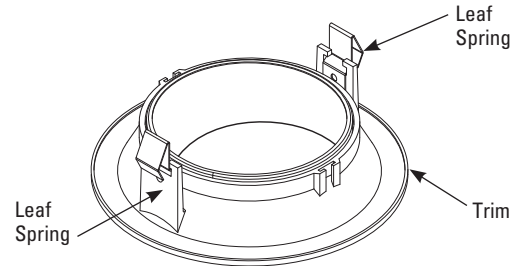
Note: Consult factory for ceilings thicker than 1-1/4".



LEAF SPRING STYLE TRIMS (STELLOS / SLIVER)

Install trim assembly by pushing the two leaf springs upward until trim edge sits flush inside collar. Maximum ceiling thickness of 1-1/4" is allowed for leaf springs to remain engaged to hold trim securely.

Note: Consult factory for ceilings thicker than 1-1/4".

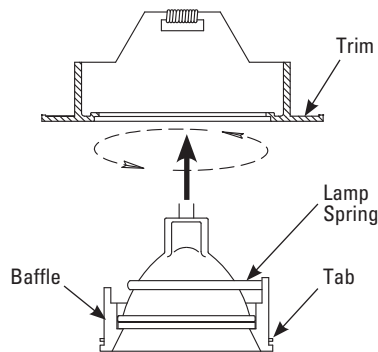


TRIM LAMPING INSTRUCTIONS:

For MR16 and 20W / 39W MHMR16 lamps.

BAFFLE TRIMS (SLIVER / STELLOS):

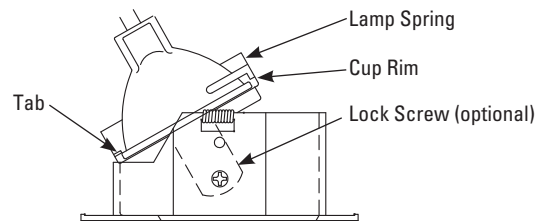
1. MR16 lamps: Insert lamp into socket.
MHMR16 lamps: Insert into base, twist and lock.
2. Install glass lens beneath spring on baffle trim (MR16 lamps only).
3. Slide socket / lamp assembly beneath spring. Assembly should be captivated resting on lens and baffle trim.
4. Align insert tabs with trim cutouts - push in and rotate clockwise.



BAFFLE TRIMS
(Stellos Only)

ADJUSTABLE TRIMS (SLIVER / STELLOS):

1. MR16 lamps: Insert lamp into socket.
MHMR16 lamps: Insert into base, twist and lock.
2. Insert lens into cup assembly (MR16 lamps only) and slide lamp beneath spring. Lamp should be captivated with lamp rim hinged below cup tab.
3. For adjustable cup style trims, the trims must be removed from the ceiling to facilitate re-lamping.
4. For "Sliver" style trims, the trim must be removed from the ceiling to facilitate re-lamping.



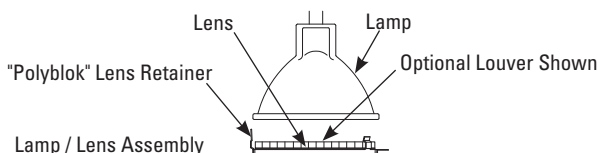
ADJUSTABLE CUP TRIMS
(Stellos / Sliver Only)

HX TRIMS:

MR16 TYPE: Push in lamp into base and install polyblok to lamp front. See lamp / lens Assembly Diagram

MHMR16 TYPE: Insert lamp into base and twist and lock.

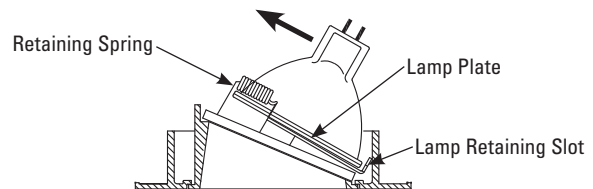
PAR TYPE: Screw lamp into medium base socket.



HX TRIMS

WALL WASH TRIMS (SLIVER / STELLOS):

1. Install lamp into lamp plate. Push lamp forward under spring and ease lamp down with rim nesting into retaining slot to captive lamp.
2. For wall wash trims the trim must be removed from the ceiling to facilitate re-lamping.



WALL WASH TRIMS
(Stellos / Sliver Only)

HX

HOUSING INSTALLATION

Accessible / Non-Accessible Ceilings

CAUTION READ BEFORE INSTALLATION:

- Power must be off before installing fixture.
- Lamps are extremely hot and will cause severe burns.
- Never touch lamps after ignition. Allow to cool.

Instructions for HX Housing Series:

Downlight: HX100 HX200 HX300 HX400 HX820

Adjustable 45°: HX101 HX201 HX301 HX401 HX821

Wall Wash: HX102 HX202 HX302 HX402 HX822

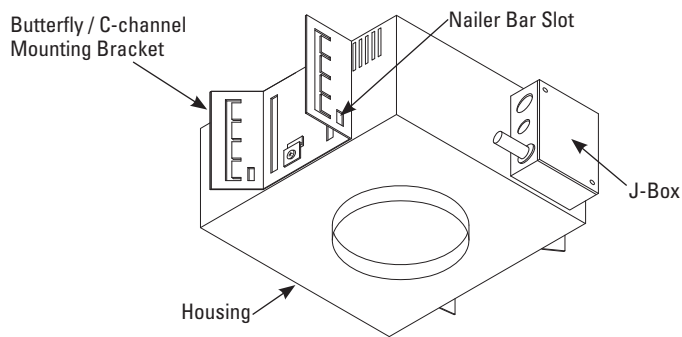
Ceiling Cutout: 4^{3/8}" Ø

NOTE

- Some dimmers may cause harmonic transformer noise.
- HX Series housings using MR16 lamps utilize low voltage magnetic transformers. Check with dimmer manufacturer to ensure compatibility.

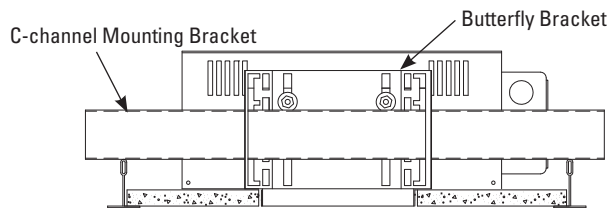
HOUSING INSTALLATION:

1. Mount fixture housing according to ceiling type.
C-channels (optional) are available for lay-in tile installations.
Nailer bars are supplied for sheetrock installations.



C-CHANNELS:

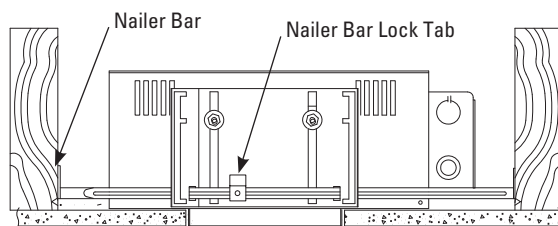
- C-channels (optional) are available for lay-in type installations. To install C-channels, the C-channel butterfly bracket must be assembled to housing on each side.



Lay-In Tile Ceiling Installation

NAILER BARS:

- Nailers bars are supplied for sheetrock installations. To install nailer bars, slide bars thru slots in butterfly brackets and lock in place with 8-32 screw.



Sheetrock Ceiling Installation

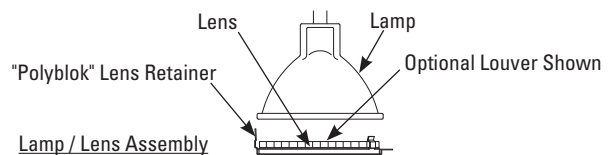
2. Install power cable conduit to J-box.
3. Make power supply connections in housing J-box compartment and re-install J-box cover.

LAMP INSTALLATION:

MR16 TYPE: Push in lamp into base and install polyblok to lamp front.
See lamp / lens Assembly Diagram

MHMR16 TYPE: Insert lamp into base and twist and lock.

PAR TYPE: Screw lamp into medium base socket.



LOCKING AND AIMING FIXTURE:

NOTE: On adjustable trims locking and aiming can be done while "hot and running" and must be done prior to trim installation.

1. VERTICAL AIMING:

- The vertical rotation lock screw is located on the vertical wall of lamp plate opposite pry slot.
- For MR16 lamps, slightly loosen vertical lock screw, then insert small screw driver into pry slot on lamp plate, and rotate assembly. Re-tighten lock screw.

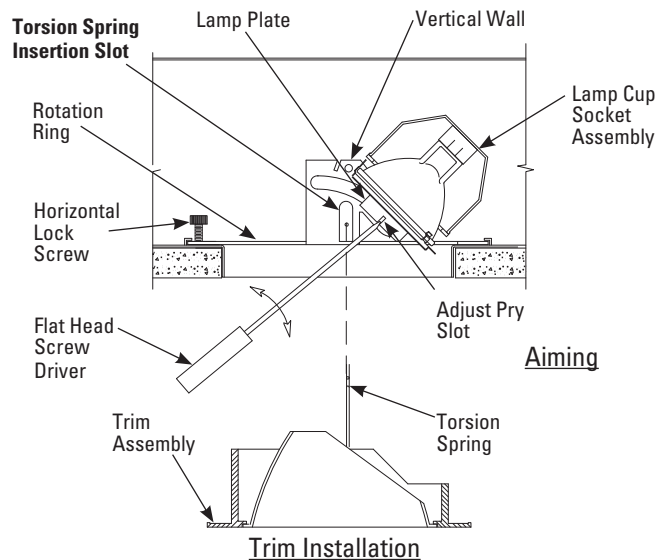
2. HORIZONTAL AIMING:

- The horizontal rotation lock screw is located on rotation plate.
- Loosen horizontal lock screw, rotate ring and set lock screw snug. Do not over tighten.

3. TRIM INSTALLATION:

- Squeeze torsion springs up, insert into aperture opening and release.

NOTE: Adjustable and Wall Wash trims have torsion spring slots in each side of the rotation ring. Torsion spring legs must be inserted thru these to insure proper trim rotation. See diagram below.



HX

BALLAST REPLACEMENT

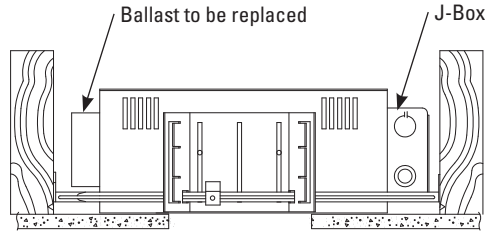
CAUTION READ BEFORE INSTALLATION:

- Power must be off at circuit breaker before planning to replace ballast.

TO REPLACE BALLAST:

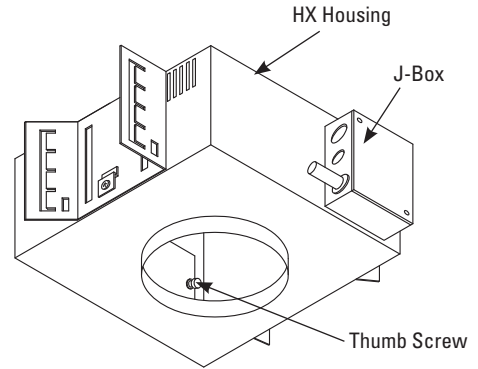
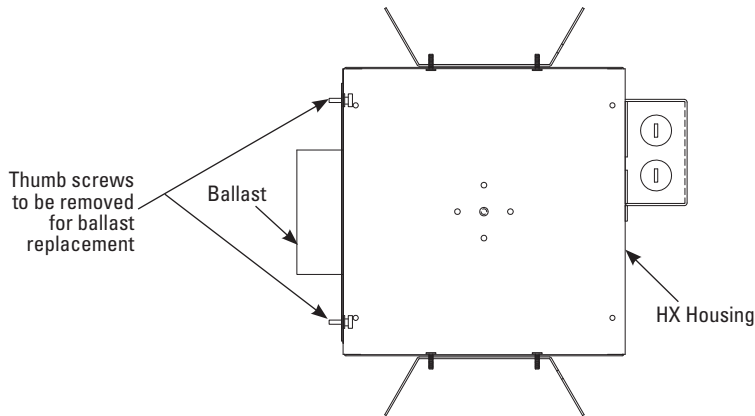
1. TO REMOVE TRIM:

- Carefully remove trim and place to the side.
- Remove lamp from trim and twist lamp from socket.



2. TO REMOVE BALLAST FROM HOUSING:

- Loosen and remove two thumb screws that mount ballast and put in safe place.
- Unplug two wires that connect ballast to housing. Note that plugs are polarized but attention should be paid to alignment.
- Remove ballast from housing and locate new ballast.

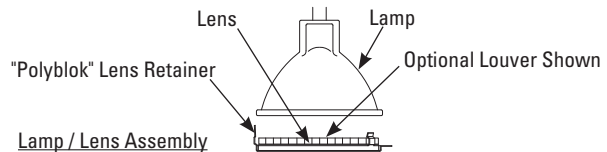


3. INSTALL NEW BALLAST:

- Plug two wire plugs that connect ballast to housing. Note that plugs are polarized but attention should be paid to alignment.
- Install ballast into housing with 90° bend down.
- Replace thumb screws mounting ballast plate back into housing.

4. RE-INSTALL LAMP

- **MR16 TYPE:** Push in lamp into base and install polyblok to lamp front. See lamp / lens Assembly Diagram
- **MHMR16 TYPE:** Insert lamp into base and twist and lock.
- **PAR TYPE:** Screw lamp into medium base socket.



5. TRIM INSTALLATION:

- Install trim assembly by squeezing the two torsion springs together upward into aperture opening. Trim flange should be flush to ceiling when properly installed. Minimum 5/8" ceiling thickness is required to load springs forcing trim flange against ceiling flush.

Note: Consult factory for ceilings thicker than 1-1/4".

