

HOUSING

3251C HOUSING INSTALLATION

Accessible / Non-Accessible Ceilings

CAUTION READ BEFORE INSTALLATION:

- POWER MUST BE OFF BEFORE INSTALLING FIXTURE
- Lamps are VERY HOT and will cause burns
- NNEVER TOUCH LAMPS after ignition, allow to cool.
- Hole cutouts must be extremely accurate

Ceiling trim openings must be as accurate as possible.

3251C

Ceiling Cutout: 3³/₈" Ø

HOUSING INSTALLATION:

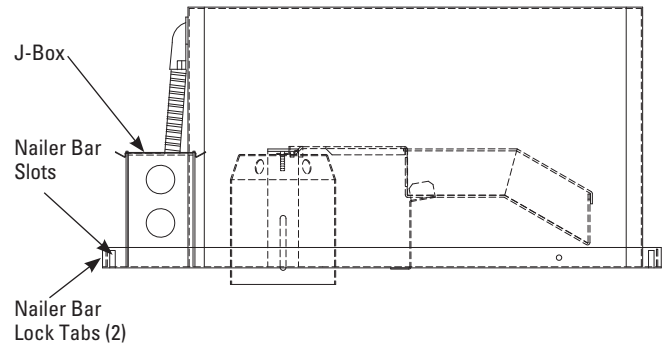
1. Mount fixture housing according to ceiling type.

C-CHANNELS:

- C-channels (optional) are available for lay-in type installations and must be ordered as an option. To install C-channels, butterfly bracket must be assembled to housing frame on each side.

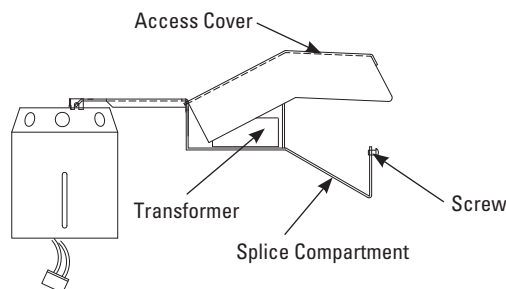
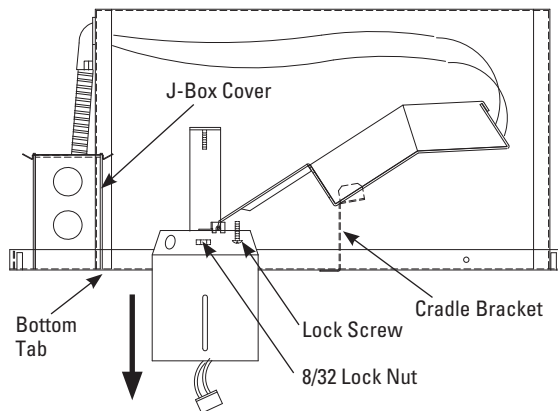
NAILER BARS:

- Nailer bars are supplied for sheetrock installations. To install nailer bars, slide bars thru slots and use nailer bar locks to secure in place.



WIRING INSPECTION AND TRANSFORMER SERVICING:

1. Remove trim. Loosen and remove 8-32 lock screw and 8-32 lock nut securing fixture to plaster frame yoke. Pull fixture down thru ceiling opening.
2. To secure transformer, loosen rear screw and hinge cover up to open.
3. To inspect feed connections in J-box, push J-box spring up and pull cover down to release tab resting in plaster frame.
4. To re-install fixture, reverse above procedure. Be sure fixture rests within cradle bracket. Make sure all wires are free and not pinched..

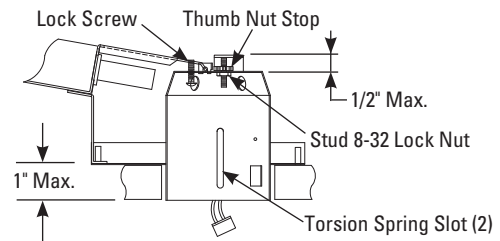


CEILING ADJUSTMENT:

IC HOUSINGS:

NOTE: Can height must be adjusted before installation

1. Loosen and back out 8-32 lock screw.
2. Remove 8-32 stud lock nut.
3. Drop housing can down to ceiling edge and rotate thumb nut stop until even with can top to set height.
4. Secure 8-32 nut on stud and tighten lock screw.



IC CEILING ADJUSTMENT

Remove lock nut and screw to slide can assembly below ceiling for transformer / splice access

TRIM INSTALLATION:

1. Bring trim to ceiling, pull socket thru trim opening and let hang. Squeeze (2) torsion springs simultaneously together, align with slots in housing can and release to install. Some trims may utilize jamb springs alternately.
2. Install Lamp (see trim instructions)