

TRIM & LAMPING

INSTALLATION

Triden / Stellos / Sliver / HX

CAUTION READ BEFORE INSTALLATION:

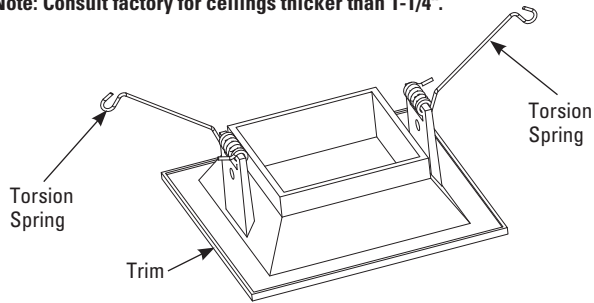
- Power must be off before lamping.
- Lamps are extremely hot and will cause severe burns.
- Never touch lamps after ignition. Allow to cool first.

FLANGED TRIM INSTALLATION:

TORSION SPRING STYLE TRIMS (TRIDEN / STELOS / SLIVER / HX)

Install trim assembly by squeezing the two torsion springs together upward into aperture opening. Trim flange should be flush to ceiling when properly installed. Minimum 5/8" ceiling thickness is required to load springs forcing trim flange against ceiling flush.

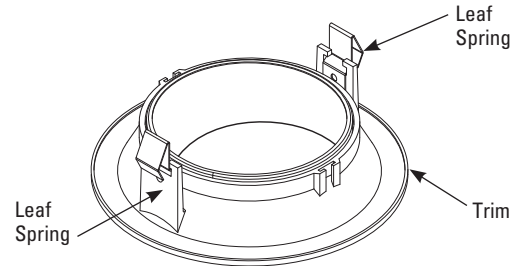
Note: Consult factory for ceilings thicker than 1-1/4".



LEAF SPRING STYLE TRIMS (TRIDEN / STELOS / SLIVER)

Install trim assembly by pushing the two leaf springs upward until trim edge sits flush inside collar. Maximum ceiling thickness of 1-1/4" is allowed for leaf springs to remain engaged to hold trim securely.

Note: Consult factory for ceilings thicker than 1-1/4".

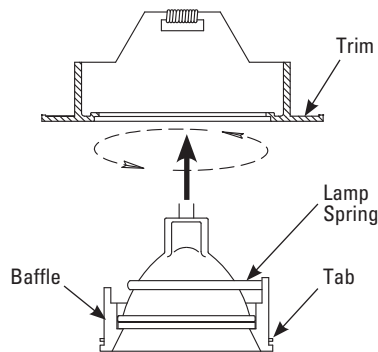


TRIM LAMPING INSTRUCTIONS:

For MR16 and 20W / 39W MHMR16 lamps.

BAFFLE TRIMS (SLIVER / STELOS):

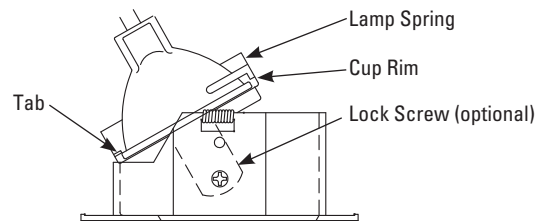
1. MR16 lamps: Insert lamp into socket.
MHMR16 lamps: Insert into base, twist and lock.
2. Install glass lens beneath spring on baffle trim (MR16 lamps only).
3. Slide socket / lamp assembly beneath spring. Assembly should be captivated resting on lens and baffle trim.
4. Align insert tabs with trim cutouts - push in and rotate clockwise.



BAFFLE TRIMS
(Stellos Only)

ADJUSTABLE TRIMS (SLIVER / STELOS):

1. MR16 lamps: Insert lamp into socket.
MHMR16 lamps: Insert into base, twist and lock.
2. Insert lens into cup assembly (MR16 lamps only) and slide lamp beneath spring. Lamp should be captivated with lamp rim hinged below cup tab.
3. For adjustable cup style trims, the trims must be removed from the ceiling to facilitate re-lamping.
4. For "Sliver" style trims, the trim must be removed from the ceiling to facilitate re-lamping.



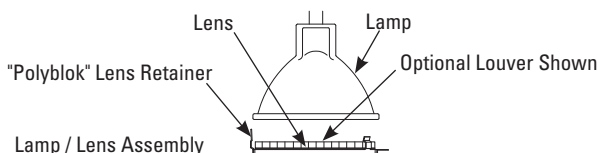
ADJUSTABLE CUP TRIMS
(Stellos / Sliver Only)

HX TRIMS:

MR16 TYPE: Push in lamp into base and install polyblok to lamp front. See lamp / lens Assembly Diagram

MHMR16 TYPE: Insert lamp into base and twist and lock.

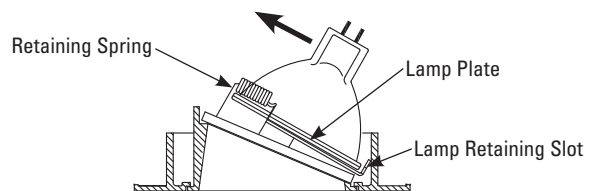
PAR TYPE: Screw lamp into medium base socket.



HX TRIMS

WALL WASH TRIMS (SLIVER / STELOS):

1. Install lamp into lamp plate. Push lamp forward under spring and ease lamp down with rim nesting into retaining slot to captive lamp.
2. For wall wash trims the trim must be removed from the ceiling to facilitate re-lamping.



WALL WASH TRIMS
(Stellos / Sliver Only)