

Bevel®

HOUSING INSTALLATION

Accessible / Non-Accessible Ceilings

CAUTION READ BEFORE INSTALLATION:

- Power must be off before installing fixture.
- Lamps are **VERY HOT** and can cause severe burns.

NEVER TOUCH LAMPS after ignition, allow to cool.

Ceiling trim openings must be as accurate as possible. Cut out templates provided for the following:

SQUARES - 1 LIGHT

Lamp	Cutout	Downlight	Adj. 35°	Adj. 45°	Wall Wash
MR16	3-1/2" x 3-1/2"	BL100-A	BL101-A	BL101X-A	BL102-A
MHMR16 20W	3-1/2" x 3-1/2"	BL710-A	BL712-A	BL716-A	BL718-A
MHMR16 39W	3-1/2" x 3-1/2"	BL130-A	BL150-A	BL150X-A	BL170-A
CFL	5" x 5"	BL125-A	N/A	N/A	BL185-A

RECTANGLES - 2 LIGHT

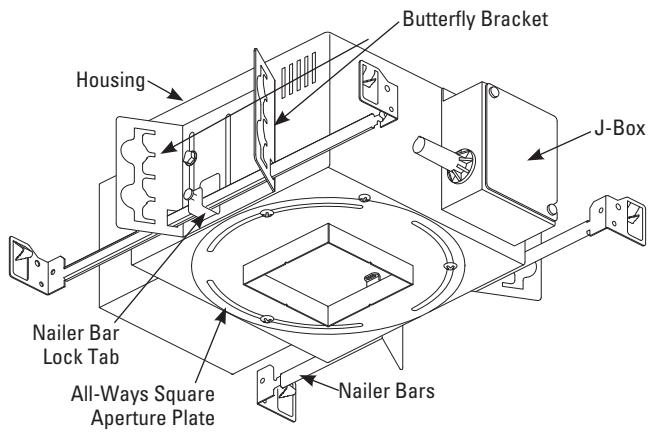
Lamp	Cutout	Downlight	Adj. 35°	Adj. 45°	Wall Wash
MR16	3-1/2" x 5-11/16"	BL400-A	BL405-A	BL405X-A	BL410-A
MHMR16 20W	3-1/2" x 5-11/16"	BL920-A	BL922-A	BL926-A	BL928-A
MHMR16 39W	3-1/2" x 5-11/16"	BL420-A	BL460-A	BL460X-A	BL480-A
CFL	5" x 9-3/8"	BL425-A	N/A	N/A	BL485-A

NOTE

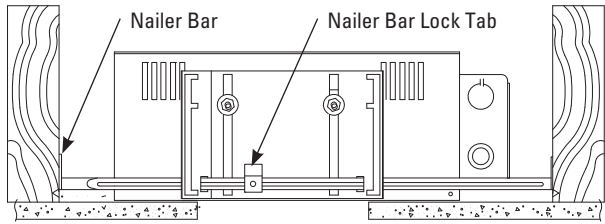
- Some dimmers may cause harmonic transformer noise.
- Bevel MR16 series housings utilize low voltage magnetic transformers.
- Check with dimmer manufacturer to ensure compatibility.

HOUSING INSTALLATION:

1. Mount fixture housing according to ceiling type.
 - C-CHANNELS:**
 - C-channels (optional) are available for lay-in type installations. To install C-channels, butterfly bracket must be assembled to housing frame on each side.
 - NAILER BARS:**
 - Nailer bars are supplied for sheetrock installations. To install nailer bars, slide bars thru slots in butterfly brackets and lock in place with 8-32 screw.



2. Install power cable conduit to J-box.
3. Make power supply connections in housing J-box compartment and re-install J-box cover.
4. Adjust the All-Ways Square aperture plate if required.
5. Insert lamp specified on the relamping label.

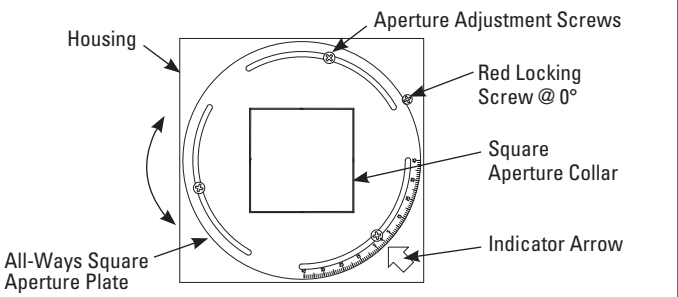


APERTURE COLLAR ADJUSTMENT:

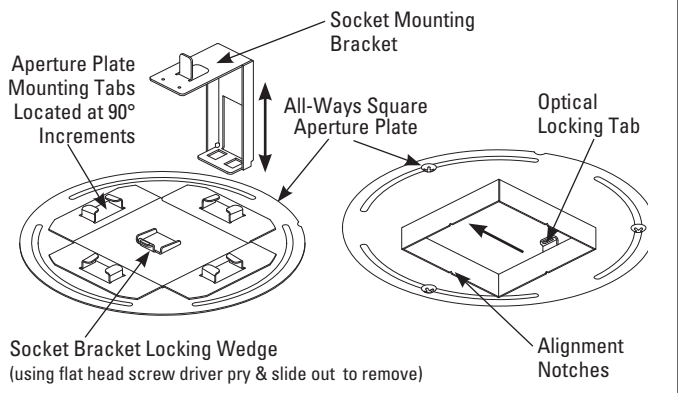
NOTE:

- All-Ways Square housings (square apertures only) allow job site aperture plate adjustment after housings have been installed insuring parallel trim installations.
- Aperture is factory set to 0° rotation.
- Rotational alignment of the aperture plate must be completed prior to ceiling installation.

- STEPS TO ADJUST THE APERTURE:**
- Note that the aperture plate is supplied with center line notches to aid in the alignment.**
1. Loosen the red locking screw and loosen the (3) aperture adjustment screws.
 2. Rotate the aperture plate to the desired position and tighten the (3) aperture screws and red locking screw.



- REMOVAL OR REPOSITION OF OPTICS:**
1. Locate optical locking tab positioned on the inside of the aperture plate.
 2. Utilizing a flat blade screwdriver, slide the locking tab out of position as shown.
 3. Lift up on the optical bracket and move to desired position. (in 90° increments).
 4. Slide the locking tab back into position, locking it into place by tapping with the handle of the screw driver.



Bevel®

INSTALLATION / LAMP ADJUSTMENT Accessible / Non-Accessible Ceilings

CAUTION READ BEFORE INSTALLATION:

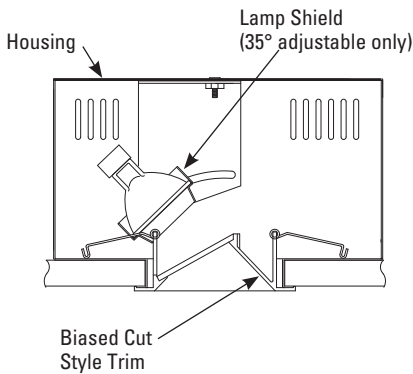
- Power must be off before installing fixture.
- Lamps are VERY HOT and can cause severe burns.
NEVER TOUCH LAMPS after ignition, allow to cool.

ADJUSTABLE FIXTURE:

Can be aimed and locked and must be done prior to trim installation.

1. For biased type 45° adjustable and wall wash trims, it may be necessary to orient socket plate and trim at 90° increments. This can be done by re-positioning of the socket/optics. Please follow instruction **REMOVAL OR REPOSITION OF OPTICS** (on page 1) to reposition the socket/optics to desired 90° rotational position.
2. Downlight type 35° adjustable trims will rotate 360° within the housing and can be locked horizontally, no indexing required.

NOTE: 2 light fixtures may require re-indexing of aperture plate to housing when re-indexing trims - except for 2 light CFL trims which can only be indexed by re-orienting complete housing assembly above ceiling.

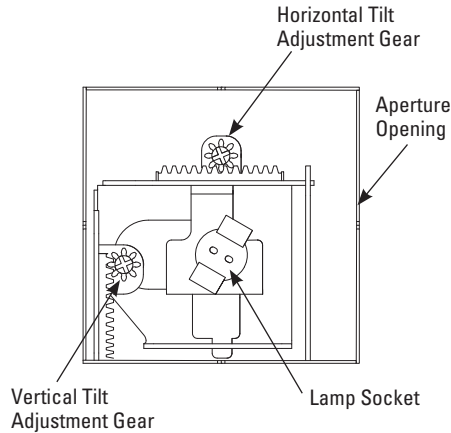


45° HOT AIMING/ SELF LOCKING MECHANISM:

NOTE: Aiming of lamp is achieved with a #2 Philips head screw driver.

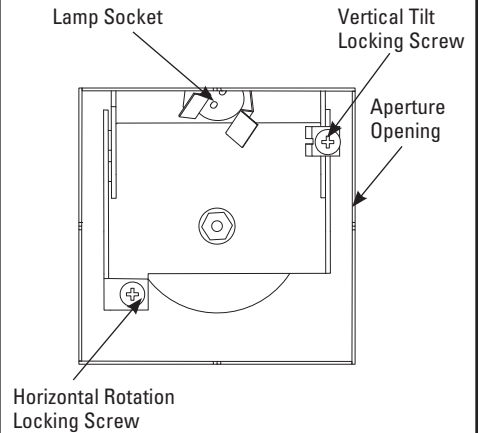
1. Look into the aperture opening and locate the 2 gears.
2. Utilizing a #2 Philips screw driver insert in to desired tilt gear (vertical or horizontal) and turn to desired aiming position.
3. Remove the screwdriver and insert the trim.

NOTE: It is important that the glass on the biased trim is facing the lamp.



35° LOCKING AIMING ADJUSTMENT MECHANISM:

1. Look into the aperture opening and locate the 2 Philips head screws.
2. Loosen the vertical adjustment screw and tilt to desired aiming position and lock with screw driver.
3. Loosen the horizontal rotation locking screw, rotate to desired position and lock with screw driver.



IMPORTANT LAMPING INSTRUCTIONS FOR COMPACT FLUORESCENT BEVELS:

1 LAMP CFL:

- For 1 lamp CFL Bevels, install lamp into socket base

2 LAMP CFL:

- For 2 lamp CFL, install lamp into socket base. To re-lamp, hinge lamp downward (as shown below) and remove lamp .
- To re-install lamp, hinge back up to engage base into retaining spring.

