

# TRIM & LAMPING

## INSTALLATION

Triden / Stellos / Sliver / HX

### CAUTION READ BEFORE INSTALLATION:

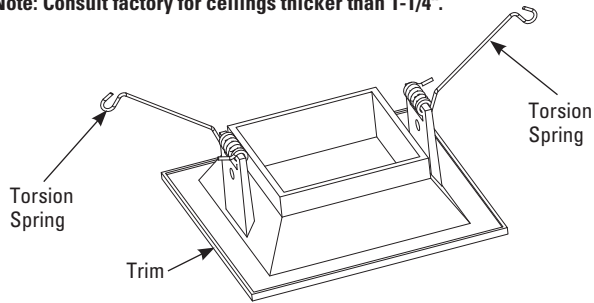
- Power must be off before lamping.
- Lamps are extremely hot and will cause severe burns.
- Never touch lamps after ignition. Allow to cool first.

### FLANGED TRIM INSTALLATION:

#### TORSION SPRING STYLE TRIMS (TRIDEN / STELOS / SLIVER / HX)

Install trim assembly by squeezing the two torsion springs together upward into aperture opening. Trim flange should be flush to ceiling when properly installed. Minimum 5/8" ceiling thickness is required to load springs forcing trim flange against ceiling flush.

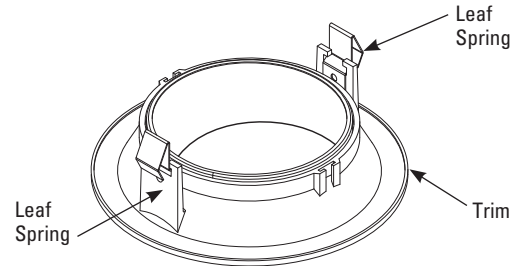
**Note: Consult factory for ceilings thicker than 1-1/4".**



#### LEAF SPRING STYLE TRIMS (TRIDEN / STELOS / SLIVER)

Install trim assembly by pushing the two leaf springs upward until trim edge sits flush inside collar. Maximum ceiling thickness of 1-1/4" is allowed for leaf springs to remain engaged to hold trim securely.

**Note: Consult factory for ceilings thicker than 1-1/4".**

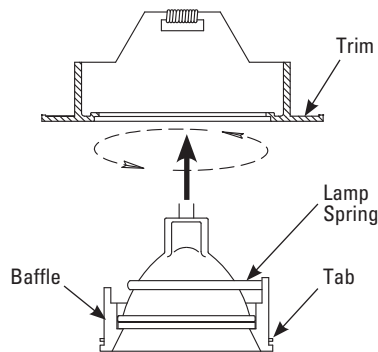


### TRIM LAMPING INSTRUCTIONS:

For MR16 and 20W / 39W MHMR16 lamps.

#### BAFFLE TRIMS (SLIVER / STELOS):

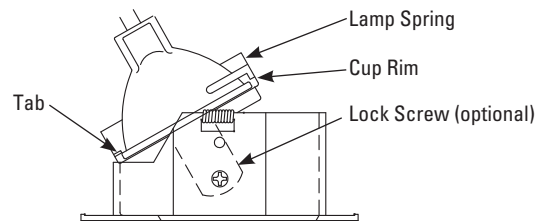
1. MR16 lamps: Insert lamp into socket.  
MHMR16 lamps: Insert into base, twist and lock.
2. Install glass lens beneath spring on baffle trim (MR16 lamps only).
3. Slide socket / lamp assembly beneath spring. Assembly should be captivated resting on lens and baffle trim.
4. Align insert tabs with trim cutouts - push in and rotate clockwise.



**BAFFLE TRIMS**  
(Stellos Only)

#### ADJUSTABLE TRIMS (SLIVER / STELOS):

1. MR16 lamps: Insert lamp into socket.  
MHMR16 lamps: Insert into base, twist and lock.
2. Insert lens into cup assembly (MR16 lamps only) and slide lamp beneath spring. Lamp should be captivated with lamp rim hinged below cup tab.
3. For adjustable cup style trims, the trims must be removed from the ceiling to facilitate re-lamping.
4. For "Sliver" style trims, the trim must be removed from the ceiling to facilitate re-lamping.



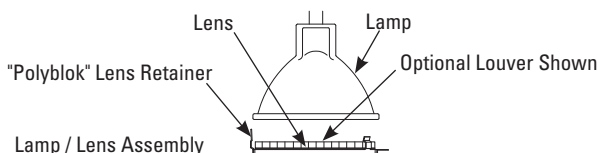
**ADJUSTABLE CUP TRIMS**  
(Stellos / Sliver Only)

#### HX TRIMS:

**MR16 TYPE:** Push in lamp into base and install polyblok to lamp front. See lamp / lens Assembly Diagram

**MHMR16 TYPE:** Insert lamp into base and twist and lock.

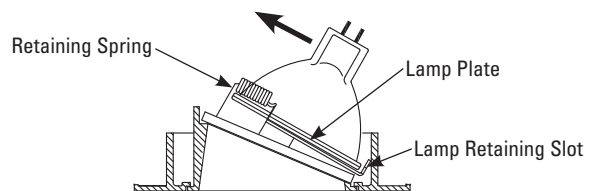
**PAR TYPE:** Screw lamp into medium base socket.



**HX TRIMS**

#### WALL WASH TRIMS (SLIVER / STELOS):

1. Install lamp into lamp plate. Push lamp forward under spring and ease lamp down with rim nesting into retaining slot to captive lamp.
2. For wall wash trims the trim must be removed from the ceiling to facilitate re-lamping.



**WALL WASH TRIMS**  
(Stellos / Sliver Only)

# Triden® Trimless

## HOUSING INSTALLATION

Downlight / Adjustable / Wall Wash  
Accessible / Non-Accessible Ceilings

### CAUTION READ BEFORE INSTALLATION:

- Power must be off before installing fixture.
- Lamps are VERY HOT and can cause severe burns.  
NEVER TOUCH LAMPS after ignition, allow to cool.

#### Instructions for Triden Trimless Housing:

**Round:** TRL700-NC

**Square:** TSL700-NC

**Ceiling Cut out:** Round: 5" Ø, Square: 5" x 5"

**Note: Ceiling Cut out must be accurate as possible**

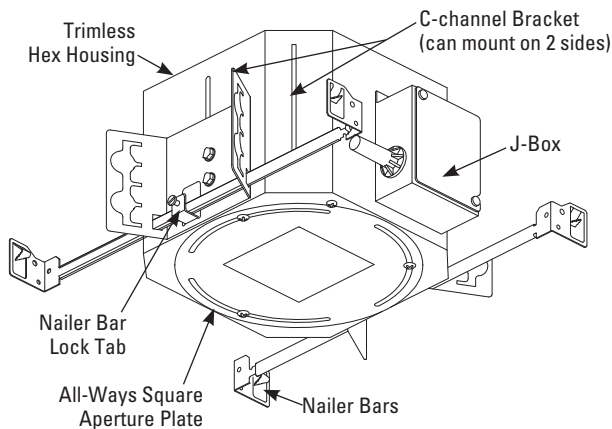
**Lamp Sources:** 50W Par 20                      50W AR70  
20W/39W CDM-Tm                      20W/39W MHMR16  
20W/39W T4                                      20W/39W T4.5  
75W max MR16

#### HOUSING INSTALLATION:

1. Mount fixture housing according to ceiling type.

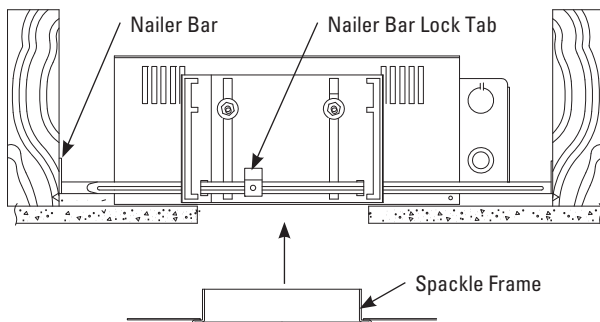
##### NAILER BARS:

- Nailers bars are supplied for sheetrock installations.  
To install nailer bars, slide bars thru slots in butterfly brackets and lock in place with 8-32 screw.



##### TRIMLESS HOUSING

2. Install power cable conduit to J-box.
3. Make power supply connections in housing J-box compartment and re-install J-box cover.
4. Adjust the All-Ways Square aperture plate if required.
5. Insert lamp specified on the relamping label.



##### TRIMLESS SHEETROCK CEILING INSTALLATION

#### APERTURE COLLAR ADJUSTMENT:

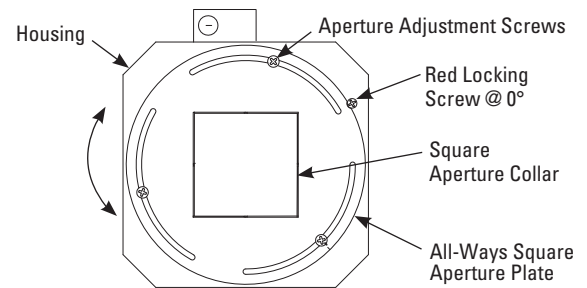
##### NOTE:

- All-Ways Square housings (square apertures only) allow job site aperture plate adjustment after housings have been installed insuring parallel trim installations.
- Aperture is factory set to 0° rotation.
- Rotational alignment of the aperture plate must be completed prior to ceiling installation.

#### STEPS TO ADJUST THE APERTURE:

**Note that the aperture plate is supplied with center line notches to aid in the alignment.**

1. Loosen the red locking screw and loosen the (3) aperture adjustment screws.
2. Rotate the aperture plate to the desired position and tighten the (3) aperture screws and red locking screw.

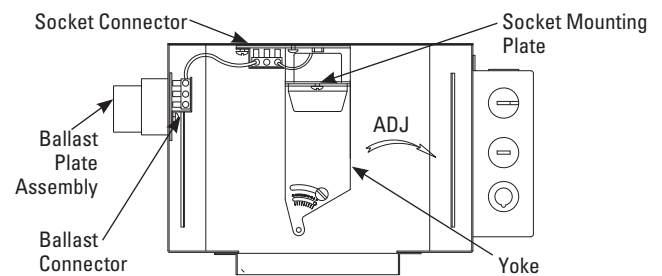


#### LAMP SOURCE INTERCHANGING:

Triden allows 7 lamp source platforms the ability to be interchanged within one housing.

1. Remove trim and lamp source
2. Adjust yoke to farthest position away from ballast plate assembly.
3. Loosen (1) screw securing socket connector plate and remove.
4. Remove (2) screws securing socket mounting plate and remove. Bring socket/connector assembly to fixture opening and let hang.
5. Next, loosen (2) thumb screws securing ballast plate and remove.
6. Bring ballast plate assembly to fixture opening and disconnect power cable connector from ballast plate assembly.
7. Once disconnected, ballast and socket plate assemblies can be removed through aperture opening.
8. For re-installation, reverse the above steps.

**NOTE: Low voltage platforms will have dedicated 120V or 277V transformers, always check supply voltage when interchanging source platforms.**



**NOTE: Some dimmers may cause harmonic interference. Triden fixtures use low voltage electronic transformers. Check with dimmer manufacturer to ensure compatibility.**

# Triden<sup>®</sup> Trimless

## INSTALLATION / LAMP ADJUSTMENT

### Downlight / Adjustable / Wall Wash

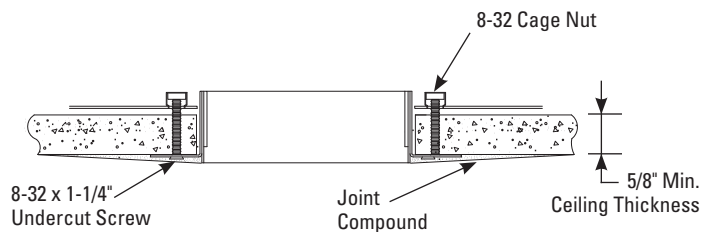
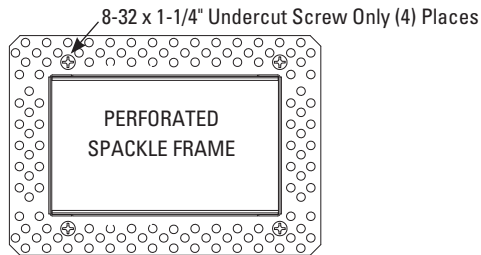
### Accessible / Non-Accessible Ceilings

## CAUTION READ BEFORE INSTALLATION:

- Power must be off before installing fixture.
- Lamps are VERY HOT and can cause severe burns.
- NEVER TOUCH LAMPS after ignition, allow to cool.

### SPACKLE FRAME TRIMLESS INSTALLATION:

1. Using the cut out template supplied, mark the mounting holes on the ceiling.
2. Using a 1/4" diameter bit, carefully drill the mounting holes through the ceiling only. (DO NOT DRILL INTO THE FIXTURE).
3. Position spackle frame into aperture hole and attach utilizing the (4) 8-32 undercut screws.



4. Ensure the spackle/overspray protector is in place.
5. Apply joint compound over plaster frame and feather out accordingly.
6. Once the ceiling has been sanded and painted, remove the overspray protector, and insert the lamp.

**NOTE: The spackle frames are directional and must be installed and oriented correctly prior to spackling.**

**NOTE: Fixtures are factory set to the Downlight position and require re-setting when converting to Wall Wash or Adjustable. See instructions below.**

### WALL WASH MODE:

#### VERTICAL ADJUSTMENT:

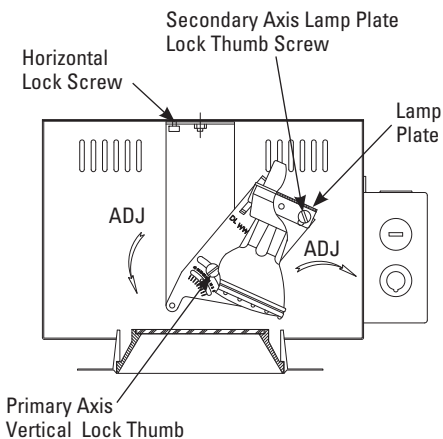
1. Loosen primary axis vertical lock thumb screw and adjust lamp yoke to maximum vertical position and lock.
 

**NOTE:** View angle indicator and set yoke to max 40° mark.
2. Loosen secondary axis vertical lock thumb screw and adjust / rotate lamp plate downward and lock.
 

**NOTE:** Lamp plate can set in 2 positions - "Downlight" or "Wall Wash", set plate to "Wall Wash" shown by indicator.

#### HORIZONTAL ADJUSTMENT:

1. Loosen horizontal lock screw, rotate yoke and lock.
2. Install lamp.
3. Install trim.



### ADJUSTABLE MODE:

#### VERTICAL ADJUSTMENT:

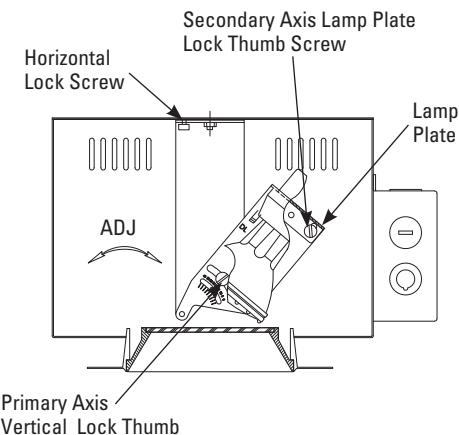
1. Loosen primary axis vertical lock thumb screw and adjust lamp yoke accordingly, position and lock.
 

**NOTE:** View angle indicators for 0° to 40° adjustment.
2. Loosen secondary axis vertical lock thumb screw and rotate / adjust lamp plate and lock.
 

**NOTE:** Lamp plate can set in 2 positions - "Downlight" or "Wall Wash", set plate to "Downlight" shown by indicator.

#### HORIZONTAL ADJUSTMENT:

1. Loosen horizontal lock screw, rotate yoke and lock.
2. Install lamp.
3. Install trim.



### DOWNLIGHT MODE:

#### VERTICAL ADJUSTMENT:

1. Loosen primary axis vertical lock thumb screw and adjust lamp yoke up to vertical position and lock.
 

**NOTE:** View angle indicator and set yoke to max 0° mark.
2. Loosen secondary axis vertical lock thumb screw and rotate / adjust and lock.
 

**NOTE:** Lamp plate can set in 2 positions - "Downlight" or "Wall Wash", set to "Downlight" shown by indicator.

#### HORIZONTAL ADJUSTMENT:

1. Loosen horizontal lock screw, rotate yoke and lock.
2. Install lamp.
3. Install trim.

