

# CAUTION READ BEFORE INSTALLATION

## MEDUSA2 SERIES - FOR ACCESSIBLE & NON-ACCESSIBLE CEILINGS

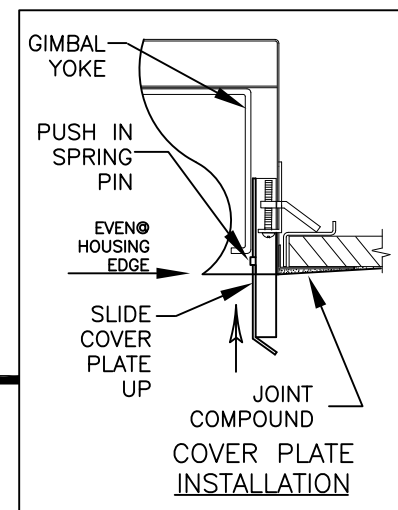
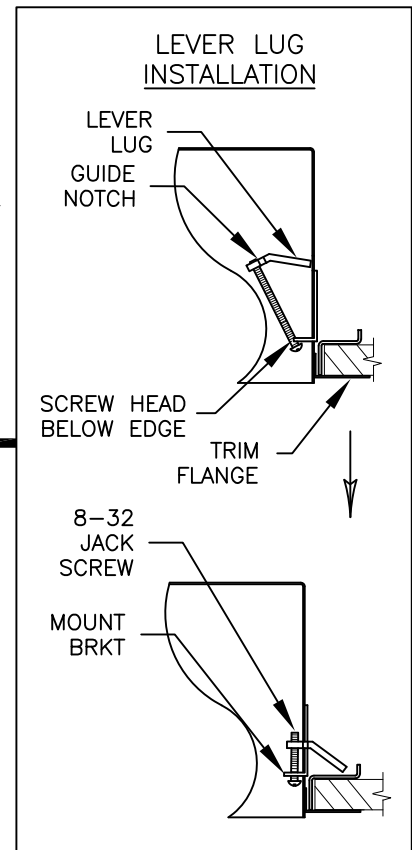
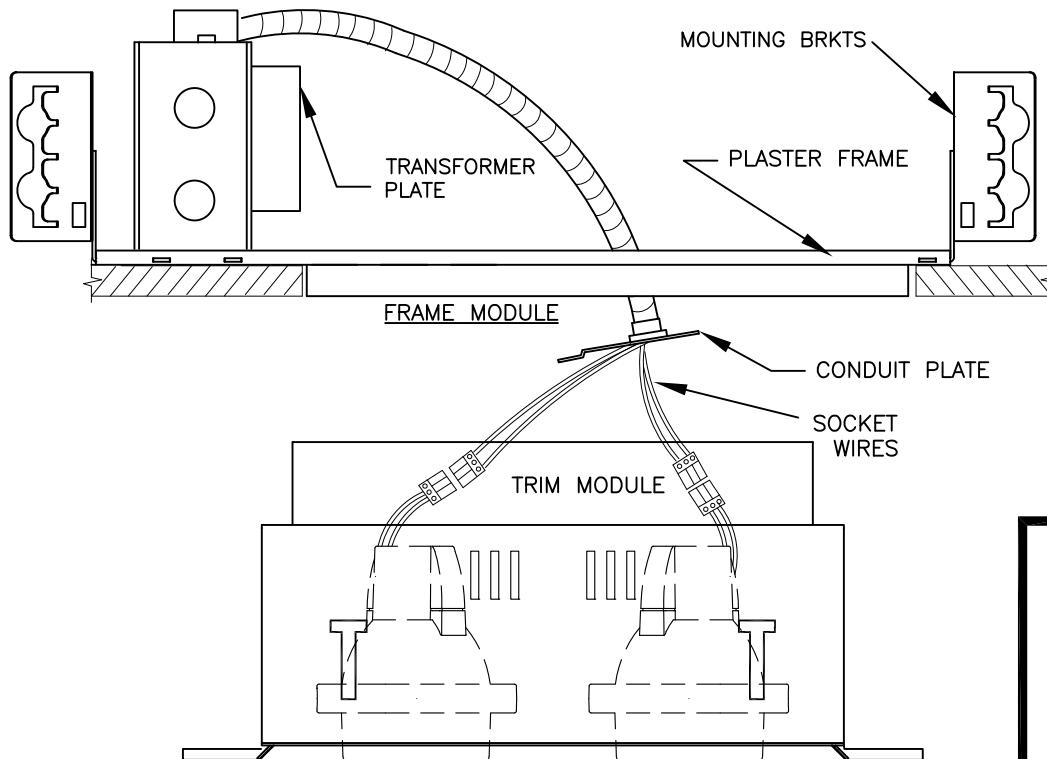
CEILING TRIM OPENINGS MUST BE AS ACCURATE AS POSSIBLE

- 5-9/16" x 5-9/16" RECTANGULAR: 1 LT
- 5-9/16" x 9-13/16" RECTANGULAR: 2 LT
- 5-9/16" x 14-1/16" RECTANGULAR: 3 LT
- 5-9/16" x 18-5/16" RECTANGULAR: 4 LT

CAUTION: POWER MUST BE OFF BEFORE INSTALLING FIXTURE

CAUTION: LAMPS ARE VERY HOT AND CAN CAUSE SEVERE BURNS  
NEVER TOUCH LAMPS AFTER IGNITION, ALLOW TO COOL

**NOTE:**  
SOME DIMMERS MAY CAUSE HARMONIC TRANSFORMER NOISE. MEDUSA2 MR16 SERIES HOUSINGS UTILIZE LOW VOLTAGE ELECTRONIC TRANSFORMERS. CHECK WITH DIMMER MANUFACTURER TO ENSURE COMPATIBILITY.



1. MOUNT FIXTURE HOUSING ACCORDING TO CEILING TYPE:  
C-CHANNELS (OPTIONAL) ARE AVAILABLE FOR LAY-IN TYPE INSTALLATIONS.  
NAILER BARS ARE SUPPLIED FOR SHEETROCK INSTALLATIONS.

- TO INSTALL C-CHANNELS, BUTTERFLY BRACKETS MUST BE ASSEMBLED TO HOUSING FRAME ON EACH SIDE.
- TO INSTALL NAILER BARS, SLIDE BARS THRU SLOTS LOCATED IN BUTTERFLY BRACKETS. LOCK IN PLACE WITH

2. MAKE POWER CONNECTIONS IN J-BOX

3. BRING HOUSING UP TO PLASTER FRAME. CONNECT CONDUIT SOCKET WIRE HARNESS TO MATCHING CONNECTORS INSIDE THE HOUSING AND RE-SECURE CONDUIT PLATE TO HOUSING.

4. INSERT (4) LEVER LUGS THRU "T" SLOTS WHILE PUSHING HOUSING TRIM AGAINST CEILING, THE GUIDE NOTCH IN LEVER LUG MUST ALIGN IN "T" SLOT, NOW SLIDE THE LEVER LUG DOWN, SCREW HEAD MUST SLIDE BELOW THE MOUNTING BRACKET. TURN JACK SCREW UNTIL HOUSING TRIM IS FLUSH WITH CEILING.

5. HARDWARE COVER PLATE (2) MUST BE INSTALLED BY SLIDING UP BETWEEN HOUSING SIDE AND GIMBAL YOKE. COVER PLATE BOTTOM EDGE MUST BE EVEN WITH CEILING AFTER INSTALLATION.

6. TO INSTALL THE LAMP, SIMPLY SNAP-OFF THE FRONT CAP AND INSERT THE LAMP, AND REINSTALL THE FRONT CAP.

7. EACH AXIS OF THE GIMBAL ASSEMBLY CAN BE LOCKED USING A PHILIPS SCREWDRIVER.

# USA ILLUMINATION

USAI, LLC

1126 RIVER RD. • NEW WINDSOR, N.Y. 12553 • TEL. 845-565-8500 • FAX 845-561-1130

# CAUTION READ BEFORE INSTALLATION

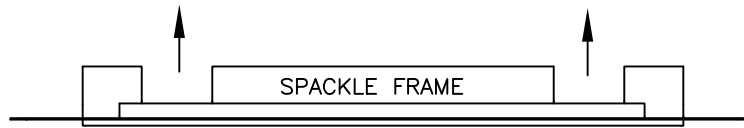
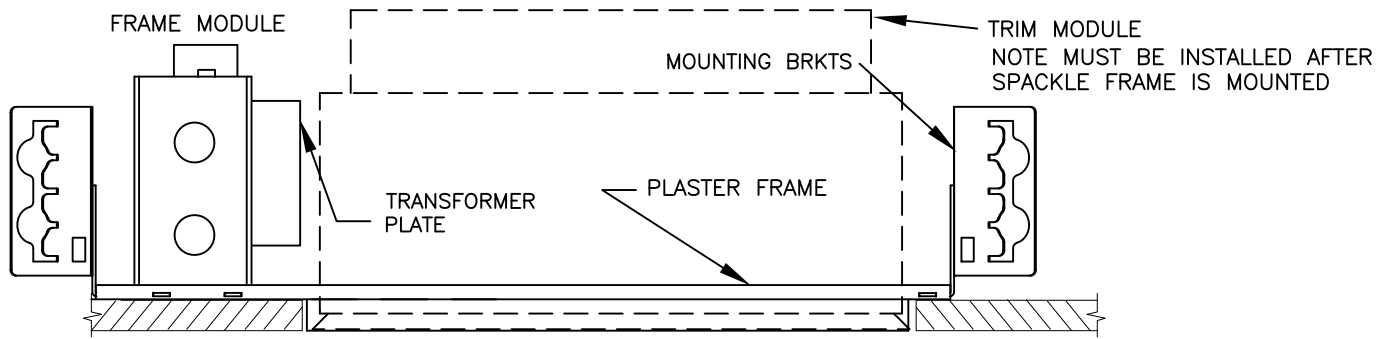
## MEDUSA2 SERIES - TRIMLESS INSTALLATION

CEILING TRIM OPENINGS MUST BE AS ACCURATE AS POSSIBLE

- 5-9/16" x 5-9/16" RECTANGULAR: 1 LT
- 5-9/16" x 9-13/16" RECTANGULAR: 2 LT
- 5-9/16" x 14-1/16" RECTANGULAR: 3 LT
- 5-9/16" x 18-5/16" RECTANGULAR: 4 LT

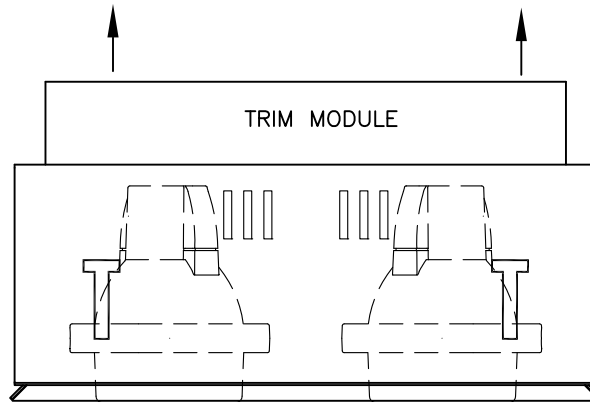
**CAUTION: POWER MUST BE OFF BEFORE INSTALLING FIXTURE**  
**CAUTION: LAMPS ARE VERY HOT AND CAN CAUSE SEVERE BURNS**  
**NEVER TOUCH LAMPS AFTER IGNITION, ALLOW TO COOL**

**NOTE:**  
 SOME DIMMERS MAY CAUSE HARMONIC TRANSFORMER NOISE. MEDUSA2 MR16 SERIES HOUSINGS UTILIZE LOW VOLTAGE ELECTRONIC TRANSFORMERS. CHECK WITH DIMMER MANUFACTURER TO ENSURE COMPATABILITY.



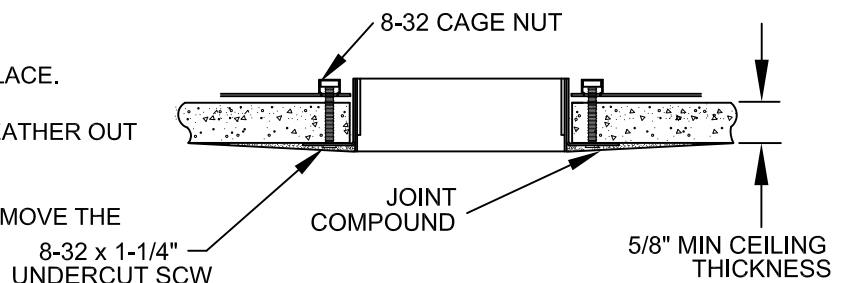
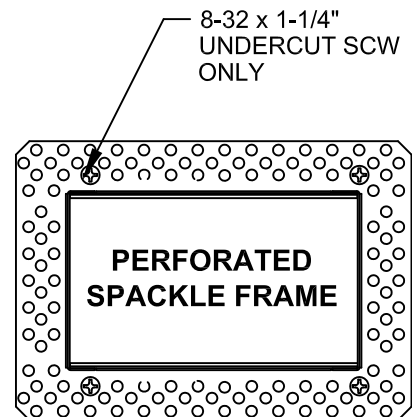
### ORDER OF INSTALLATION:

1. INSTALL THE FRAME MODULE
2. INSERT THE SPACKLE FRAME AND ATTACH WITH THE SCREWS PROVIDED.
3. INSERT AND MOUNT THE TRIM MODULE PER INSTRUCTIONS ON THE FRONT OF THIS INSTRUCTION SHEET.



### SPACKLE FRAME INSTALLATION:

1. USING THE SPACKLE FRAME AS A TEMPLATE, MARK THE MOUNTING HOLES ON THE CEILING.
2. USING A 1/4" DIAMETER BIT, CAREFULLY DRILL THE MOUNTING HOLES THRU THE CEILING ONLY. (DO NOT DRILL INTO THE FIXTURE)
3. POSITION SPACKLE FRAME INTO APERTURE HOLE AND ATTACHED UTILIZING THE 8-32 UNDERCUT SCREWS.
4. ENSURE THE SPACKLE/OVERSPRAY PROTECTOR IS IN PLACE.
5. APPLY JOINT COMPOUND OVER PLASTER FRAME AND FEATHER OUT ACCORDINGLY.
6. ONCE THE CEILING HAS BEEN SANDED AND PAINTED, REMOVE THE OVER SPRAY PROTECTOR.



# USA ILLUMINATION

USAI, LLC

1126 RIVER RD. • NEW WINDSOR, N.Y. 12553 • TEL. 845-565-8500 • FAX 845-561-1130