

NANOLUMEN®

TRIM INSTALLATION

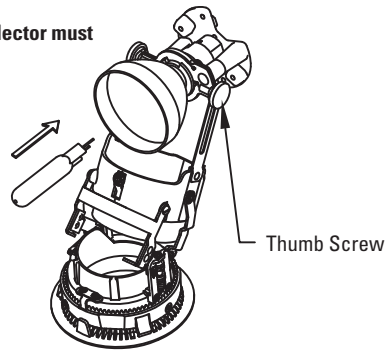
CAUTION READ BEFORE INSTALLATION:

- Power must be off before installing fixture.
- Lamps are very hot and can cause severe burns
- Never touch lamps after ignition, allow to cool.

LAMP INSTALLATION:

1. Loosen thumb screws (2X).
2. Lift socket assembly to top position.
3. Rotate socket assembly.
4. Install lamp.
5. Rotate and slide socket assembly back in original position.
6. Secure thumb screws (2X).

NOTE: During operation lamp / reflector must be in fully secured position.

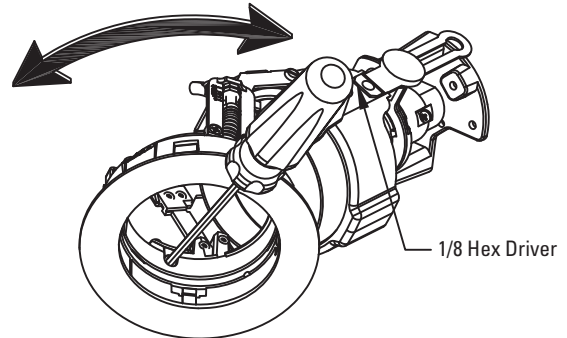


ADJUSTABLE TRIMS ONLY

AIMING:

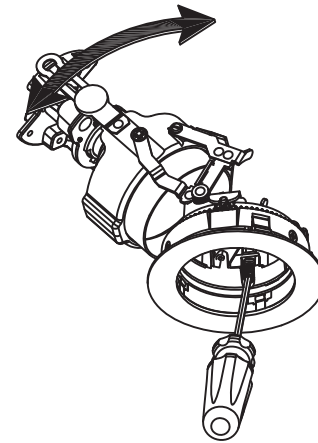
Horizontal Aiming 0°-360°

1. Insert 1/8 Hex driver in horizontal adjustment socket.
2. Turn to desired horizontal aiming position.
3. This fixture has a rotation stop, if further rotation is not possible reverse direction.



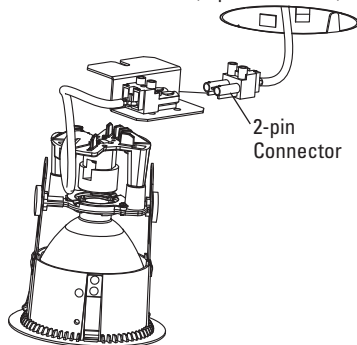
Vertical Aiming 0°- 40°

1. Insert 1/8 Hex driver in vertical adjustment socket.
2. Turn to desired horizontal aiming position.

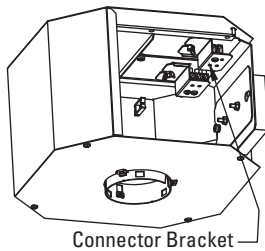


TRIM INSTALLATION:

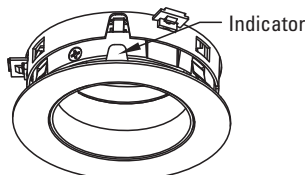
1. Remove baffle from trim (adjustable trim only).
2. Make electrical connection (2-pin connector).



3. Install connector bracket onto ballast-slider plate and tighten wing nut.



4. Rotate adjustment mechanism to downlight position (adjustable trim only).
5. Insert trim into housing.
6. Align indicator on trim with opening in collar.

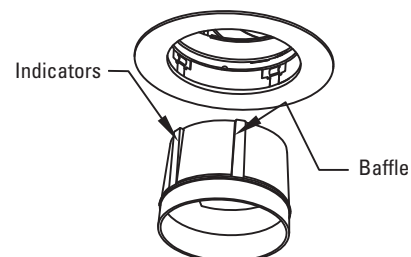


7. Release adjustment mechanism (adjustable trim only).

ADJUSTABLE TRIMS ONLY

BAFFLE INSTALLATION:

1. Align indicators of baffle with indicators in trim.
2. Insert baffle into trim until flush with flange.
3. Do not force baffle into trim, baffle will snap easily in place.



LAMP REPLACEMENT:

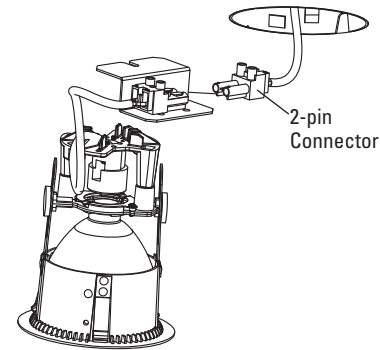
1. Remove baffle from trim (adjustable trims only).
2. Rotate adjustment mechanism to downlight position (on adjustable trims only).
3. Remove trim from housing.
4. Remove connector bracket from ballast-slider plate by loosening wing nuts, **Do not remove wing nuts.**
5. Disconnect electrical connection (2-pin connector).
6. Loosen thumb screws (2X).
7. Lift socket assembly to top position.
8. Rotate socket assembly.
9. Replace lamp.
10. Rotate and slide socket assembly back in original position.
11. Secure thumb screws (2X).
12. Install trim, see "Trim Installation".

DURING OPERATION LAMP/REFLECTOR MUST BE IN FULLY SECURED POSITION

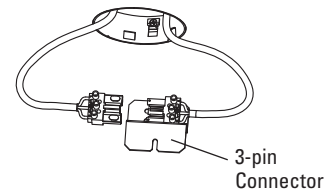
BALLAST REPLACEMENT:

CAUTION: POWER MUST BE OFF

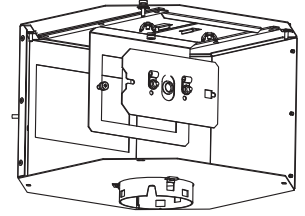
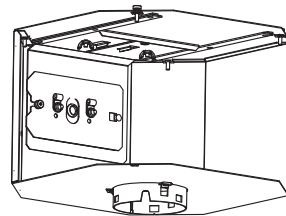
1. Remove baffle from trim (adjustable trims only).
2. Rotate adjustment mechanism to downlight position (adjustable trim only).
3. Remove trim from housing.
4. Remove connector brackets from ballast-slider plate by loosening wing nuts, **Do not remove wing nuts.**
5. Disconnect electrical connection (2-pin connector).



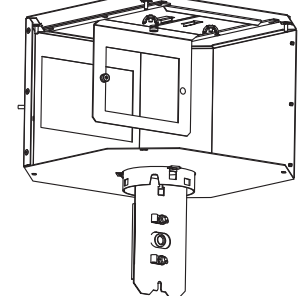
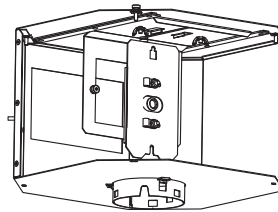
6. Disconnect electrical connection (3-pin connector).



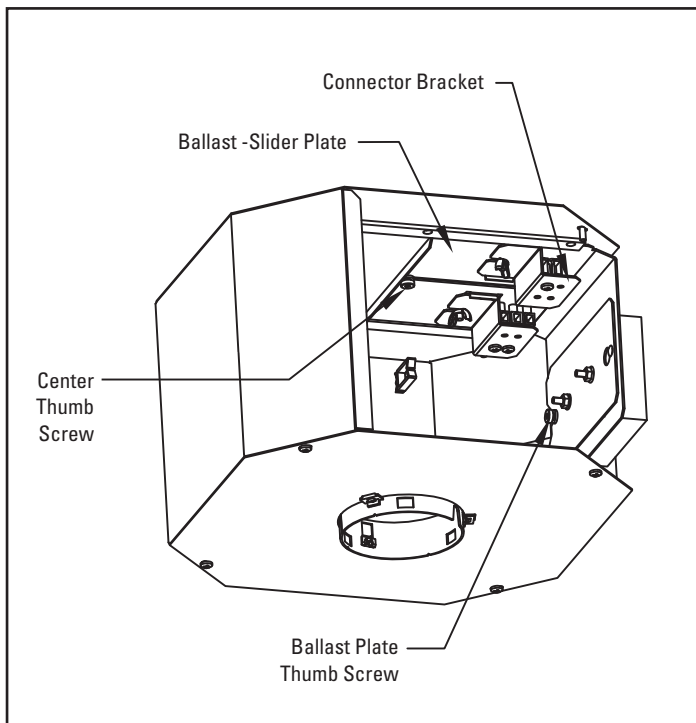
7. After disconnecting all electrical connections (2 & 3 pin) loosen center thumb screw in housing.
8. Slide the tray to the "service" position and remove ballast tray by loosening one thumb screw.



9. Rotate ballast tray to vertical position.
10. Pull ballast tray assembly through aperture.



11. Replace ballast.
12. Install in reverse order.
13. Install trim, see "Trim Installation".



NANOLUMEN®

HOUSING INSTALLATION ACCESSIBLE AND NON-ACCESSIBLE CEILINGS

CAUTION READ BEFORE INSTALLATION:

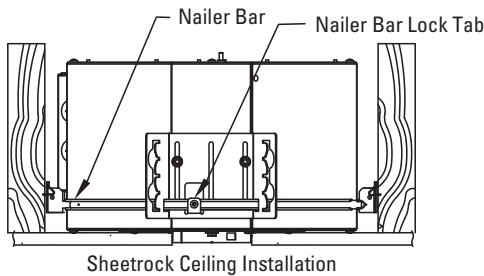
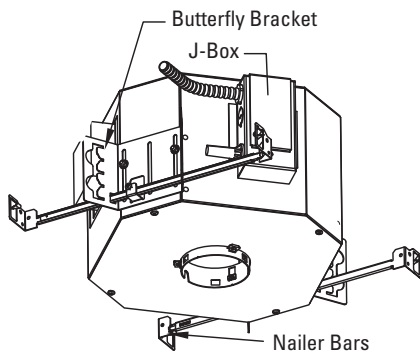
- Power must be off before installing fixture.
- Lamps are very hot and can cause severe burns
- Never touch lamps after ignition, allow to cool.

HOUSING INSTALLATION: Trim Ceiling Openings Must Be Accurate

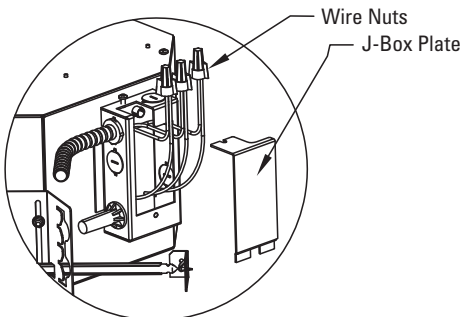
Cutout for round trim: 3-1/2" diameter.

Cutout for square trim: 3-1/2" x 3-1/2" square.

1. Mount fixture housing according to ceiling type.
NOTE: C-channels (optional) are available for lay-in type installations.
Nailer bars are supplied for sheetrock installations.
 - To install c-channels, butterfly brackets must be assembled to housing frame on each side.
 - To install nailer bars, slide bars thru slots located in butterfly brackets. Lock in place with 8-32 screw.



2. Install power cable conduit to J-box.
3. Make power supply connections in housing J-box compartment and re-install J-box plate.



APERTURE PLATE ADJUSTMENT FOR ALL-WAYS SQUARE HOUSING

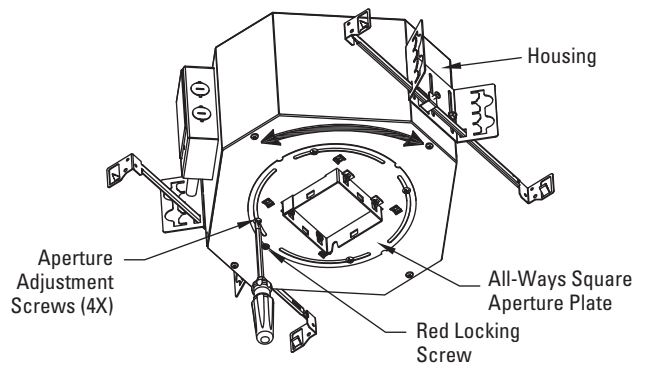
All-Ways Square housing allows job site aperture plate adjustment after housings have been installed insuring parallel trim installations.

(Note: Aperture is factory set to 0° rotation.)

Rotational alignment of the aperture plate must be completed prior to ceiling installation.

TO ADJUST THE APERTURE

1. Loosen the red locking screw and the (4) aperture adjustment screws.

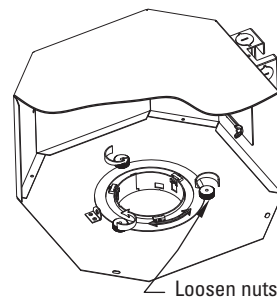


2. Rotate the aperture plate to the desired position and tighten the (4) aperture screw and red locking screw.

NOTE: The aperture plate is supplied with the centerline notches to aid in alignment.

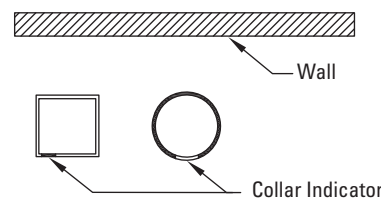
COLLAR ADJUSTMENT FOR ROUND UNIVERSAL HOUSING ONLY

1. Round collar in universal housing only can be rotated by loosening (3) nuts.
2. Make adjustment, and then re-tighten nuts.



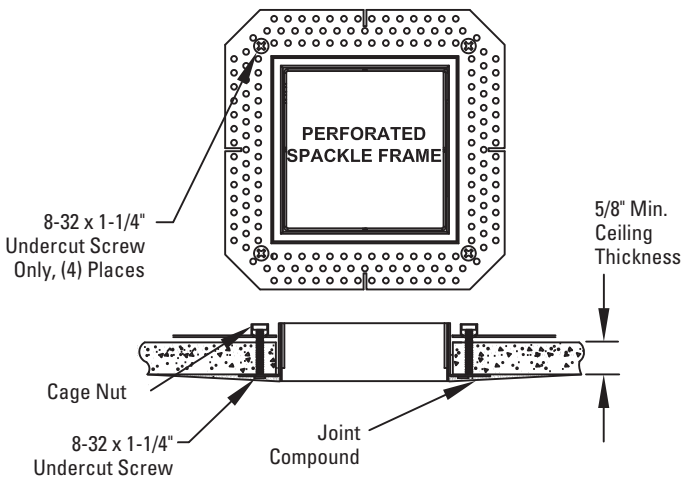
INDICATOR LOCATION FOR WALL WASH TRIMS

1. To ensure correct installation of wall wash trims, collar indicator needs to be located opposite wall.



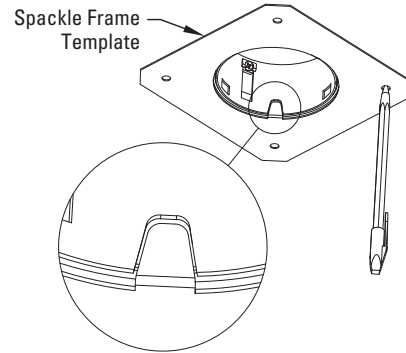
SQUARE SPACKLE FRAME INSTALLATION:

1. Using the spackle frame, mark the holes in the ceiling.
2. Using a 1/4" diameter bit, carefully drill the mounting holes thru the ceiling only. **DO NOT DRILL INTO THE FIXTURE.**
3. Position spackle frame into aperture hole and attach, utilizing the (4) 8-32 undercut screws.
4. Ensure the spackle / overspray protector is in place.
5. Apply joint compound over plaster frame and feather out accordingly.
6. Once the ceiling has been sanded and painted, remove the overspray protector.

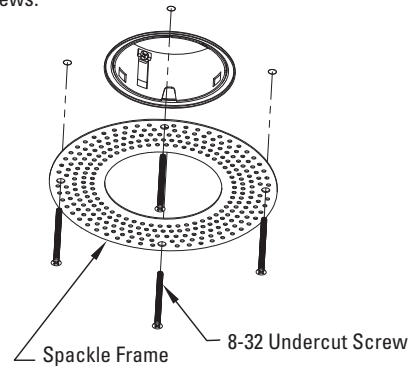


ROUND SPACKLE FRAME INSTALLATION:

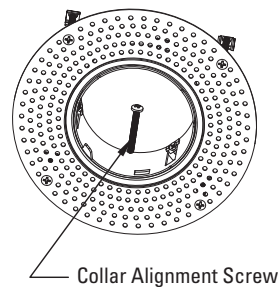
1. Using the spackle frame, mark the holes in the ceiling.



2. Using a 1/4" diameter bit, carefully drill the mounting holes thru the ceiling only. (Do not drill into the fixture).
3. Position spackle frame into aperture hole and attach, utilizing the (4) 8-32 undercut screws.



2. Using a 1/4" diameter bit, carefully drill the mounting holes thru the ceiling only. **DO NOT DRILL INTO THE FIXTURE.**
3. Position spackle frame into aperture hole and attach, utilizing the (4) 8-32 undercut screws.
4. Remove collar alignment screw.



5. Ensure the spackle / overspray protector is in place.
6. Apply joint compound over plaster frame and feather out accordingly.
7. Once the ceiling has been sanded and painted, remove the overspray protector.

COLLAR HEIGHT ADJUSTMENT FOR ROUND AND SQUARE TRIMS:

1. Locate screws on collar, (round 3X, square 4X).
2. Do NOT remove screws, just loosen them.
3. Adjust collar to be flush with ceiling.
4. Tighten screws. **DO NOT OVER TIGHTEN.**

