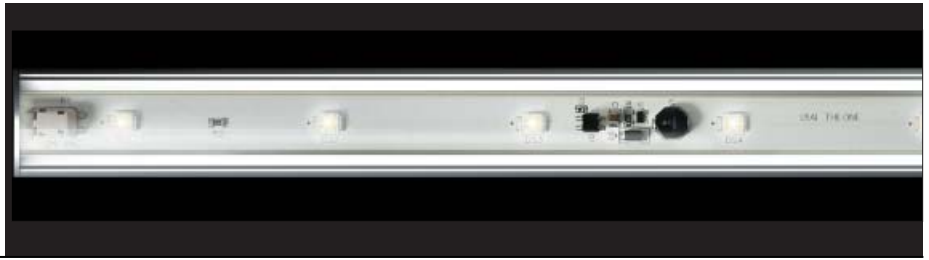
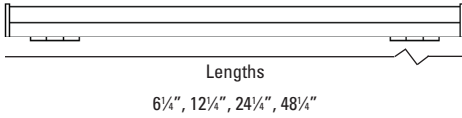


# THE ONE™ Linear LED

## Standard Output

# LLSW



### LUMINAIRE INFORMATION

**APPLICATION:** Cove lighting, display cases, shelf lighting, refrigeration, inaccessible areas and heat or UV sensitive installations.

**COLOR RENDERING INDEX:**  
85+ Typical CRI

**LISTING:**  
Dry/damp location

**POWER CONSUMPTION:**  
White 3.75W p/FT @ 24VDC

**DIMMING:**  
Dimmable 24V / DC driver for use with low voltage magnetic dimmer (See chart on back for compatible power supply).  
When using a microprocessor based or "smart" dimmer, the dimmer must have a neutral connection.



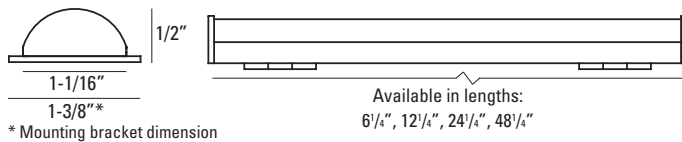
IBEW Union made



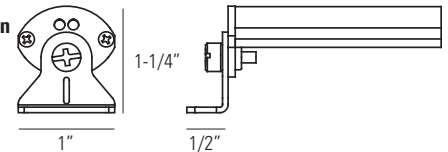
**LUMENS:**  
**2800K:** 19.7 lumens per watt / 129.4 total lumens per foot  
**3000K:** 21.4 lumens per watt / 128.3 total lumens per foot  
**3500K:** 23.1 lumens per watt / 137.3 total lumens per foot  
**4200K:** 25.3 lumens per watt / 150.9 total lumens per foot  
 Consult factory for additional information.

**COLOR TEMPERATURE:**  
Available in 2800K, 3000K, 3500K and 4200K

### DIMENSIONS (shown with fixed mounting option)

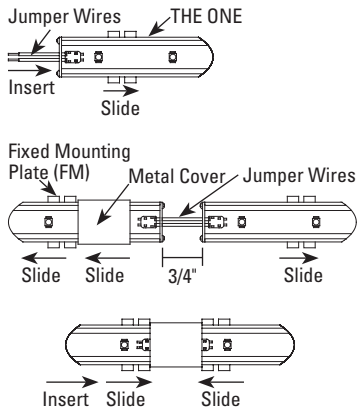


**Rotating Mounting Option (4' max. length)**

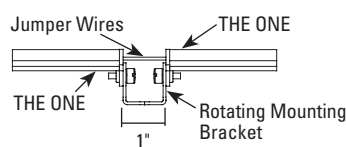


### MULTIPLE CONNECTOR OPTIONS (shown with fixed mounting option)

**LSJ** - Straight Connector 3/4"

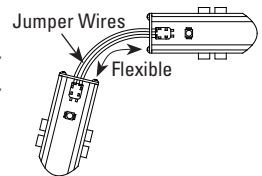


**LSJR** - Straight Joiner Rotating Mounts

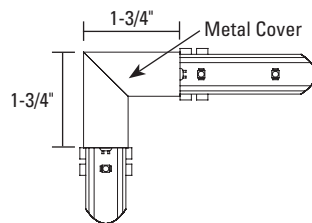


**LFJ2** - Flexible Corner Connector 2"

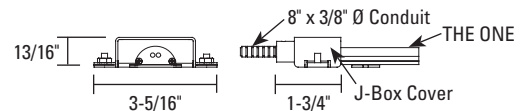
**LFJ6** - Flexible Corner Connector 6"  
**LFJ12** - Flexible Corner Connector 12"  
**LFJ24** - Flexible Corner Connector 24"



**LCJ** - Fixed 90° Metal Connector (only when required by local code)



**LEF** - End Feed Connector (Only when required by local code)



### HOW TO SPECIFY

Series	Length	Color Temperature	Lens	Mounting	Connector Options	Power Supplies (See back)***
LLSW						
LLSW Standard Output Linear LED	S06 - 6 1/4" S12 - 12 1/4" S24 - 24 1/4" S48 - 48 1/4"	28 - 2800K 30 - 3000K 35 - 3500K 42 - 4200K	CL - Clear FL - Frosted	FM - Fixed RM - Rotating	LSJ - Straight Connector 3/4" LSJR - Straight Joiner Rotating Mounts LFJ2 - Flexible Corner Connector 2" LFJ6 - Flexible Corner Connector 6" LFJ12 - Flexible Corner Connector 12" LFJ24 - Flexible Corner Connector 24" LEF** - End Feed Connector LCJ** - Fixed 90° Metal Connector LJW-480 - Mini spool 480" 18 AWG Wire	LPS24VDC1 - 100W 120/24V DC Dimming LPS24VDC1-300 - 300W 120/24V DC Dimming LPS24VDC1-48 - 40W 120/24V DC Dimming LPS24VDC2 - 100W 277/24V DC LPS24VDC2-300 - 300W 277/24V DC Dimming LPS24VDC3 - 100W 120/24V DC LPS24VDC3-60 - 60W 120/24V DC

\*\*\*Must use USAI driver only

\*\*Only when required by local code

# USAI®

www.usalighting.com  
info@usalighting.com

1126 River Road  
New Windsor, NY 12553

T 845-565-8500  
F 845-561-1130

©2010. USAI, LLC.  
All rights reserved.  
All designs protected by copyright.  
12/21/10

# THE ONE™ Linear LED

Driver for use with  
TheOne series LLSW and LLHW only

**DIMMING**  
LPS24VDC1  
LPS24VDC1-300  
LPS24VDC1-48  
LPS24VDC2  
LPS24VDC2-300

**NON-DIMMING**  
LPS24VDC3  
LPS24VDC3-60

## DRIVER INFORMATION

**APPLICATION:** For use with TheOne® linear LED fixtures.

**MATERIAL:**

Transformer housing is made of metal construction.

**DIMMING:**

Dimmable 24VDC driver for use with low voltage magnetic dimmer. (See chart below for compatible supply).

When using a microprocessor based or "smart" dimmer, the dimmer must have a neutral connection.

**OPERATING TEMPERATURE:**

Maximum ambient operating temperature is 50°C.

**LISTING:**

Dry/damp location. All drivers are UL Class 2 listed. All drivers are ETL listed for use with TheOne® product family. IBEW Union made.

**NOTES:**

- Must use USAI drivers
- Do not install in wet locations.
- See table for maximum run length of drivers.
- Drivers must be installed in accordance to national and local electrical codes.
- Equipped with secondary overload protection.
- Ordering Information on reverse side.

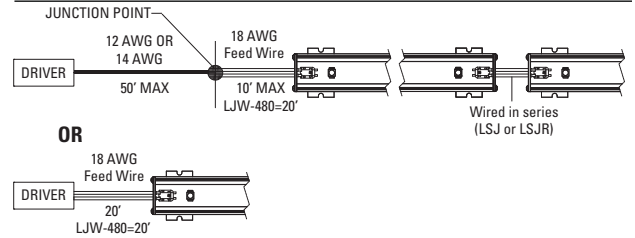
MAXIMUM NUMBER OF LINEAR FEET PER DRIVER					
DRIVER	PRIMARY VOLTAGE	WATTS	MAX RUN LENGTH		
			LLSW	LLHW	
<b>DIMMING</b> Use only with low voltage magnetic dimmer	LPS24VDC1	120VAC	100	15'	10'
	LPS24VDC1-300*	120VAC	3X 100	3X 15'	3X 10'
	LPS24VDC1-48	120VAC	40	7'	5'
	LPS24VDC2	277VAC	100	15'	10'
	LPS24VDC2-300*	277VAC	3X 100	3X 15'	3X 10'
<b>NON-DIMMING</b>	LPS24VDC3	100/277VAC	100	22'	15'
	LPS24VDC3-60	100/277VAC	60	11'	6'

**IMPORTANT:** • Drivers must be mounted in a well ventilated area with 6" minimum of air space around driver.

- Assumes no excessive jumper lengths and driver is wired as shown in Remote Driver Wiring Diagram to right.

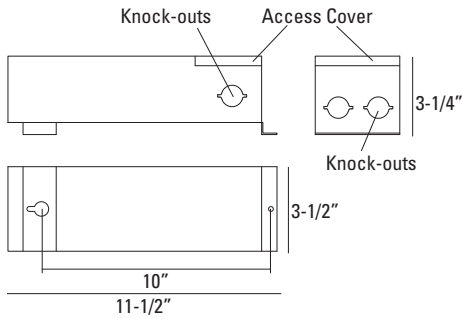
\* All three runs must dim as one.

## REMOTE DRIVER WIRING

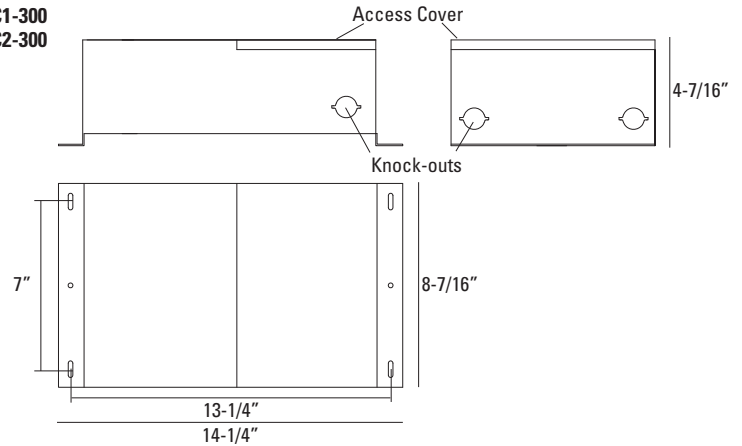


## DIMENSIONS

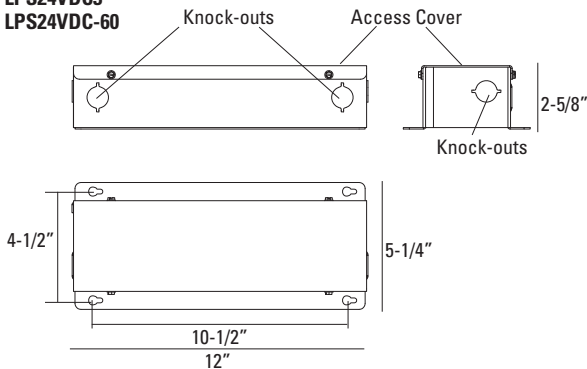
LPS24VDC1  
LPS24VDC2  
LPS24VDC1-48



LPS24VDC1-300  
LPS24VDC2-300



LPS24VDC3  
LPS24VDC-60



**USAI®**

www.usalighting.com  
info@usalighting.com

1126 River Road  
New Windsor, NY 12553

T 845-565-8500  
F 845-561-1130

©2010. USAI, LLC.  
All rights reserved.  
All designs protected by copyright.  
12/21/10