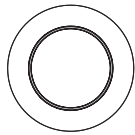
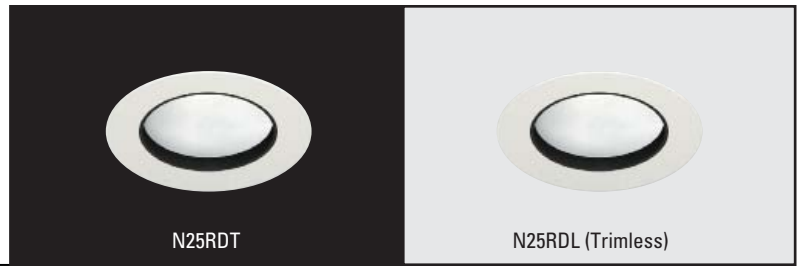
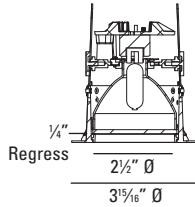


Downlight Trim Round - 1/4" Regress



Plan View



LUMINAIRE INFORMATION

APPLICATION:

Accent luminaire for Residential, Commercial, Retail or Hospitality environments.

MATERIALS:

Trim: Precision die cast body with durable UV-stabilized powder coating.

Reflector: Twist and lock interchangeable reflector system allows for flexibility while maintaining design consistency. Spun and faceted aluminum, Available in 10°, 20°, 35° and 60° distribution. Reflector not available in MR16 & MHMR16 lamps.

Trim Lens: Solite is standard unless option is specified.

Baffle Options: High temperature nylon.

BM - Black Matte Baffle

WM - White Matte Baffle

LAMP: (not included)

Captive lamp assembly rotates to provide easy access for relamping, without separating components.

20W T4.5 G8.5

39W T4.5 G8.5

70W T4.5 G8.5

20W T4 GU6.5

39W T4 GU6.5

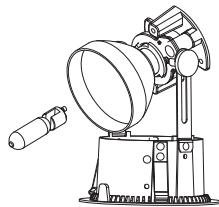
22W CDM-Tm PGJ5

39W CDM-Tm PGJ5

20W MHMR16 GX10

39W MHMR16 GX10

71W MR16 GU5.3 max.



CEILING CUT OUT:

3 1/2" Ø

LISTINGS:

*Dry/Damp for Trimless and all MR16 and 70W T4.5.

All others are Wet under covered ceiling.

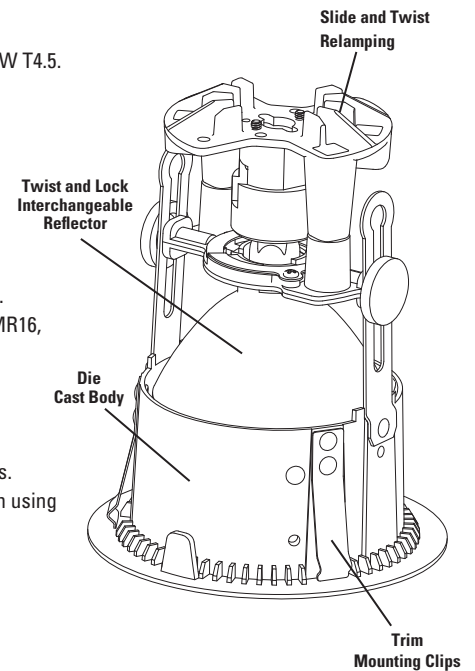


IBEW union made.

NOTES:

- Maximum ceiling thickness up to 1 1/2"
- See housing matrix on back for exceptions.
- Maximum 2 lens options in MR16 and MHMR16, all other lamps Max. 3 lens options.
- Housing included with trim.
- Not available for use with ES16 lamps.
- Trimless for drywall installation only
- Trimless not available in acoustical ceilings.
- 120V not compatible with AFCI circuit when using MR16 lamps.

DOWNLIGHT TRIM FEATURES



HOW TO SPECIFY

Trim	Baffle Options	Lamp / Wattage	Reflector	Trim Finish	Optional Trim Lens	Housing	Voltage	Accessories
(Trim) N25RDT	BM - Black Matte Baffle	G852 - 20W T4.5 G853 - 39W T4.5 G857 - 70W T4.5	RNT410 - 10° Distribution RNT420 - 20° Distribution RNT435 - 35° Distribution RNT460 - 60° Distribution	10 - White 21 - Black 28 - Metalized Grey RAL - Special Color	B - Frosted Borosilicate F - Frosted L - Linear Spread P - Prismatic Spread U - Optivex Anti UV	SP55 NC61 NC63 NC65 NC71 NC73 NC75 IC1 IC3 IC5	120V 277V	CB27 - 27" C-Channel CB52 - 52" C-Channel ER - Emergency Relay (MR16) LP - MH Lamps (Consult Factory) ARK1 - 20W/39W Bodine eAK39 ARC Keeper emergency w/ remote test switch
(Trimless) N25RDL	WM - White Matte Baffle	GU652 - 20W T4 GU653 - 39W T4 PGJ52 - 22W CDM-Tm PGJ53 - 39W CDM-Tm GX102 - 20W MHMR16 GX103 - 39W MHMR16 GU537 - 71W MR16 max.	Reflectors not available in MR16 and MHMR16 lamps.		standard unless option is specified		120V not compatible with AFCI circuit when using MR16 lamps.	• Above ceiling access required • Not for 70W • See Bodine eAK spec sheet for more information

HOUSING DETAILS on reverse side

HOUSING FEATURES

- Easy adjustment aperture plate that allows ceiling thickness adjustment from 7/8" to 1 1/2". See housing matrix for details.
- Patent pending "Slide & Replace" easy ballast replacement.
- Quick connectors on all wire connections.
- Universal housing style allows the ability to swap trim styles between Downlight, Adjustable and Wall Wash. See Plug-and-Play limitations on matrix below.
- Fabricated of 20 ga. black powder coated steel with thru wire J-box, 2 in 2 out at min. 90°C, #12 AGW thru branch circuit wiring.

TRANSFORMER: (MR16 Lamps)

Low voltage solid state electronic. Note: Due to transformer / dimmer match some dimmers may cause transformer hum. Check with dimmer manufacturer for suitability.

BALLAST: (MH Lamps)

Solid state electronic.

VOLTAGE:

Specify 120V or 277V.

CEILING CUT OUT:

3 1/2" Ø

LISTINGS:

Dry/Damp for Trimless, Adjustables and all MR16 and 70W T4.5. All others Wet under covered ceiling.



IBEW union made.

NOTES:

- Maximum ceiling thickness 1 1/2". See matrix for ceiling thickness options.
- Housing included with trim.
- Trimless for drywall installation only
- Trimless not available in acoustical ceilings.
- 120V not compatible with AFCI circuit when using MR16 lamps.

HOUSING INFORMATION - See limitations below

New Construction - All lamps

SP55 - DL only
(Max. Ceiling Thickness - 1 1/2")

New Construction - All lamps except T4.5

NC61 - DL / ADJ / WW
(Max. Ceiling Thickness - 7/8")

NC63 - DL / ADJ 30° / WW
(Max. Ceiling Thickness - 1 1/4")

NC65 - DL / ADJ 20°
(Max. Ceiling Thickness - 1 1/2")

New Construction - T4.5 lamps only

NC71 - DL / ADJ / WW
(Max. Ceiling Thickness - 7/8")

NC73 - DL / ADJ 30° / WW
(Max. Ceiling Thickness - 1 1/4")

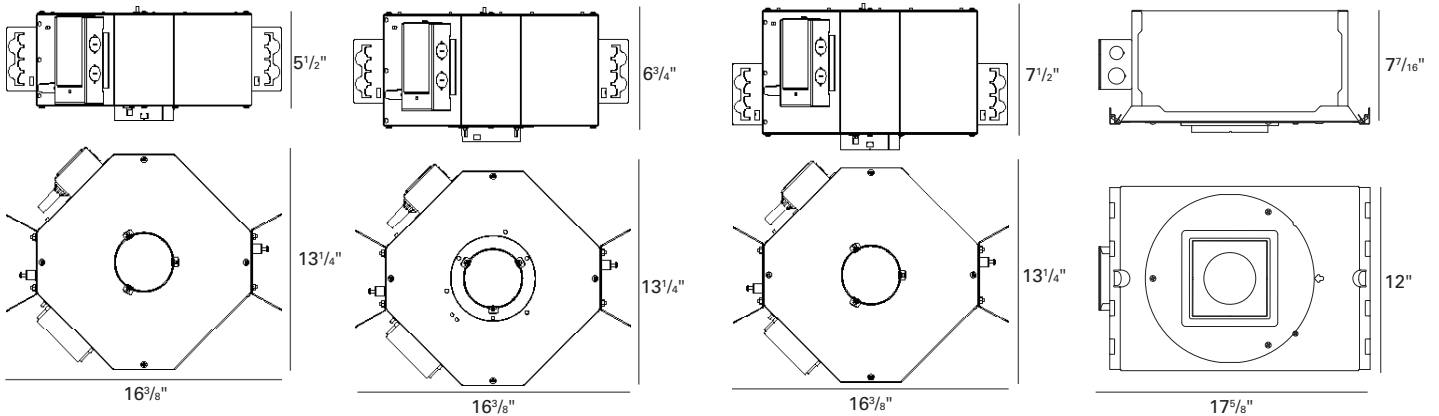
NC75 - DL / ADJ 20°
(Max. Ceiling Thickness - 1 1/2")

IC / Airtight - 50W max. MR16 only

IC1 - DL / ADJ / WW
(Max. Ceiling Thickness - 7/8")

IC3 - DL / ADJ 30° / WW
(Max. Ceiling Thickness - 1 1/4")

IC5 - DL / ADJ 20°
(Max. Ceiling Thickness - 1 1/2")



Order housings with trims on reverse side.