



LUMINAIRE TESTING LABORATORY, INC.

SUSTAINING MEMBER
of the
IESNA

905 Harrison Street · Allentown, PA 18103 · 610-770-1044 · Fax 610-770-8912 · www.LuminaireTesting.com

LTL NUMBER: 13922

DATE: 09-16-2008

PREPARED FOR: USA ILLUMINATION, INC.

CATALOG NUMBER: 9343-TRIM/BL100-HOUSING/(1) 71W MR16

LUMINAIRE: FORMED STEEL HOUSING, FROSTED GLASS ENCLOSURE ABOVE CAST WHITE ENAMEL ALUMINUM REFLECTOR.

LAMP: ONE VBU 71 WATT MR16 HALOGEN LAMP RATED AT 1200 LUMENS.

LAMP CATALOG NUMBER: GE Q71MR16C/FL40

BALLAST: ONE MDL 315-0132

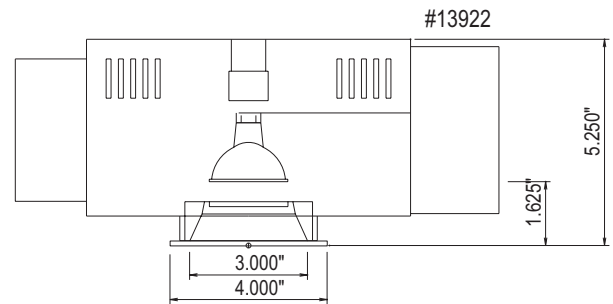
MOUNTING: RECESSED

CANDELA DISTRIBUTION

	0.0	22.5	45.0	67.5	90.0
0	1237	1237	1237	1237	1237
5	1212	1172	1195	1188	1192
15	874	845	862	854	858
25	442	431	448	444	445
35	188	192	210	198	190
45	85	86	98	88	84
55	39	43	52	44	40
65	12	13	17	13	12
75	4	4	4	4	4
85	0	0	0	0	0
90	0	0	0	0	0

FLUX

110
237
204
125
70
40
14
4
1



ZONAL LUMEN SUMMARY

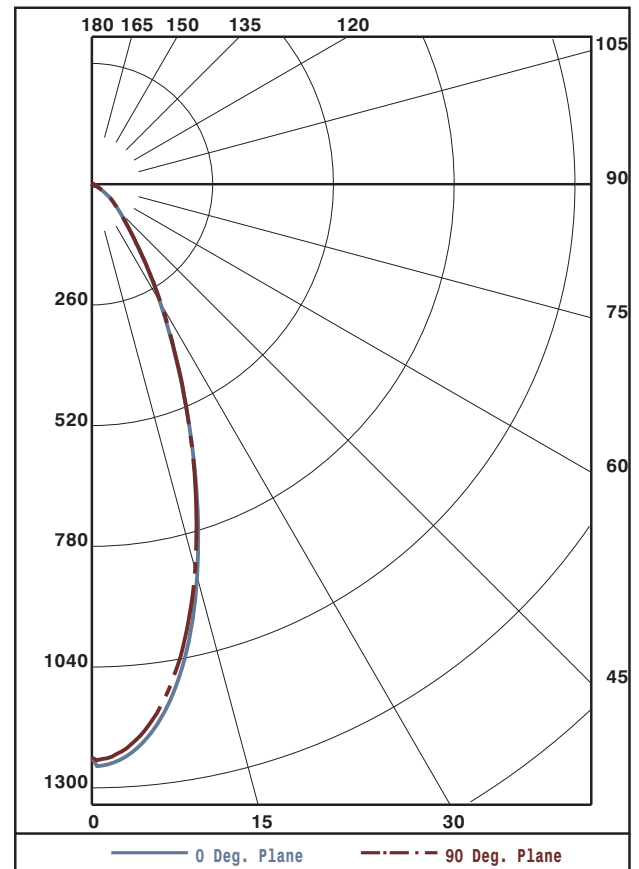
ZONE	LUMENS	%LAMP	%FIXT
0- 30	551	45.9	68.4
0- 40	676	56.4	83.9
0- 60	786	65.5	97.6
0- 90	806	67.1	100.0
90-180	0	0.0	0.0
0-180	806	67.1	100.0

TOTAL LUMINAIRE EFFICIENCY: 67.1%

CIE TYPE: DIRECT
 PLANE: 0-DEG 90-DEG
 SPACING CRITERIA: 0.7 0.7
 LUMINOUS LENGTH: 3.000 3.000

LUMINANCE IN CANDELA PER SQUARE METER

ANGLE IN DEG	AVERAGE 0-DEG	AVERAGE 45-DEG	AVERAGE 90-DEG
0	213023.	213023.	213023.
45	20701.	23867.	20457.
55	11709.	15612.	12010.
65	4890.	6927.	4890.
75	2661.	2661.	2661.
85	0.	0.	0.



Approved By: MG

THIS REPORT BASED ON LM-46 AND OTHER PERTINENT IESNA PROCEDURES.



LUMINAIRE TESTING LABORATORY, INC.

SUSTAINING
MEMBER
of the
IESNA

905 Harrison Street · Allentown, PA 18103 · 610-770-1044 · Fax 610-770-8912 · www.LuminaireTesting.com

LTL NUMBER: 13922

DATE: 09-16-2008

PREPARED FOR: USA ILLUMINATION, INC.

COEFFICIENTS OF UTILIZATION - ZONAL CAVITY METHOD
EFFECTIVE FLOOR CAVITY REFLECTANCE 0.20

RC	80				70				50			30			10			0
RW	70	50	30	10	70	50	30	10	50	30	10	50	30	10	50	30	10	0
0	80	80	80	80	78	78	78	78	75	75	75	71	71	71	68	68	68	67
1	76	75	73	72	75	73	72	71	71	69	68	68	67	66	66	65	64	63
2	73	70	68	66	72	69	67	65	67	65	64	65	64	62	63	62	61	60
3	70	66	63	61	69	65	63	60	64	61	59	62	60	59	61	59	58	57
4	67	63	59	57	66	62	59	56	60	58	56	59	57	55	58	56	55	54
5	64	59	56	53	63	58	55	53	57	54	52	56	54	52	55	53	51	51
6	61	56	53	50	60	56	52	50	55	52	49	54	51	49	53	51	49	48
7	59	53	49	47	58	53	49	47	52	49	46	51	48	46	50	48	46	45
8	56	50	47	44	55	50	47	44	49	46	44	49	46	44	48	46	44	43
9	54	48	44	42	53	47	44	42	47	44	42	46	43	41	46	43	41	40
10	51	46	42	40	51	45	42	40	45	42	40	44	41	39	44	41	39	39

CANDELA DISTRIBUTION

	0.0	22.5	45.0	67.5	90.0
0	1237	1237	1237	1237	1237
5	1212	1172	1195	1188	1192
10	1078	1042	1062	1052	1056
15	874	845	862	854	858
20	644	624	642	637	640
25	442	431	448	444	445
30	294	290	305	300	298
35	188	192	210	198	190
40	122	125	145	128	122
45	85	86	98	88	84
50	60	62	70	63	60
55	39	43	52	44	40
60	21	25	34	26	22
65	12	13	17	13	12
70	7	7	8	7	7
75	4	4	4	4	4
80	2	2	2	2	2
85	0	0	0	0	0
90	0	0	0	0	0

ZONAL LUMEN SUMMARY

0- 5	29.
5- 10	81.
10- 15	114.
15- 20	123.
20- 25	112.
25- 30	92.
30- 35	72.
35- 40	53.
40- 45	40.
45- 50	30.
50- 55	24.
55- 60	16.
60- 65	9.
65- 70	5.
70- 75	3.
75- 80	2.
80- 85	1.
85- 90	0.

THIS TEST WAS CONDUCTED USING RELATIVE PHOTOMETRY TECHNIQUES ACCORDING TO STANDARD IESNA PROCEDURES. THE USER MUST THEREFORE USE CAUTION IN THE FOLLOWING SITUATIONS: 1) ACCORDING TO IESNA PROCEDURES, THE BALLAST(S) AND LAMP(S) ARE PRESUMED TO PRODUCE 100% OF RATED OUTPUT. AN APPROPRIATE BALLAST FACTOR MUST BE APPLIED TO THE LUMEN OUTPUT RATINGS AND LUMINOUS INTENSITY VALUES GIVEN. 2) THIS TEST WAS CONDUCTED IN A CONTROLLED LABORATORY ENVIRONMENT, FIELD PERFORMANCE MAY DIFFER.



LTL TEST #13922

CIRCLE-OF-LIGHT

Ft below	FC nadir	Dia @ 50%
6.0	34.4	3.9
8.0	19.3	5.2
10.0	12.4	6.5
12.0	8.6	7.9
14.0	6.3	9.2
16.0	4.8	10.5

NOTE: 'Dia' spans the edge-points that are half of nadir FC