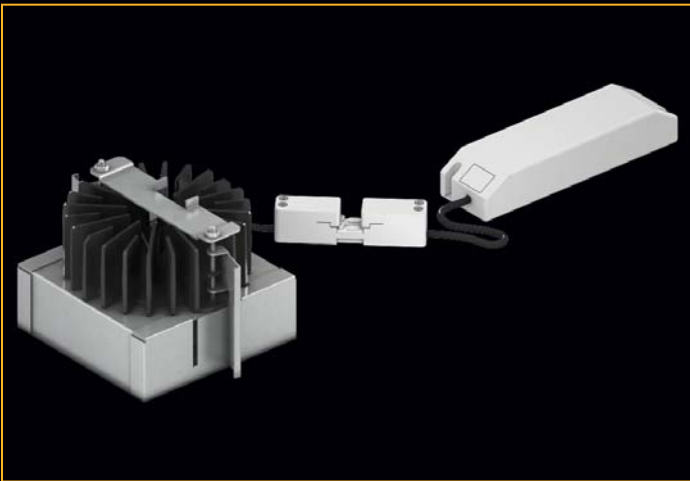


USAI[®]

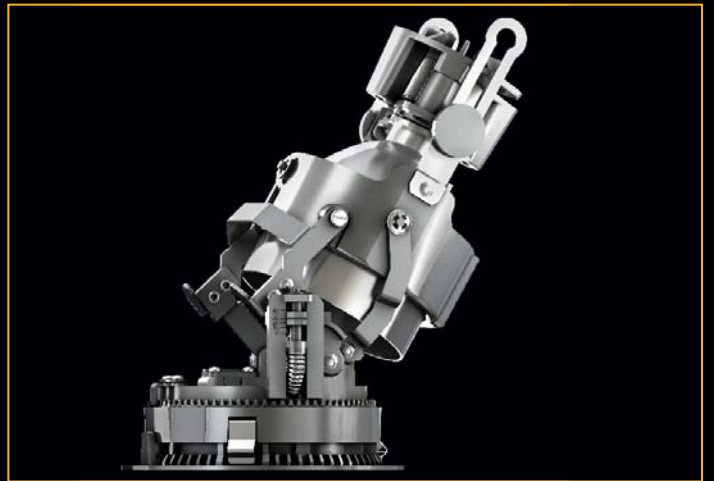
International

NEW

BeveLED[®]



NANOLUMEN[®] 2.5



NANOLED[™] 2.5



THE ONE[™] LV



USAI[®]

International



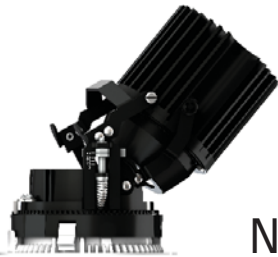
BeveLED[®]

- 114mm diameter aperture LED 10 and 20 watt downlight with interchangeable optics (30 and 50 degree).
- IP 20 / CE Pending
- Color temperature options: 2700K, 3000K and 3500K @ 82+ CRI
2700K and 3000K @ 92+ CRI
- Tight binning for fitting-to-fitting color consistency
- 5 year warranty
- 3000K delivers: 50 LPW @ 50 degree
42 LPW @ 30 degree
- 3000K delivers: 3080 CBCP (30 degree/20 watt)
1355 CBCP (50 degree/20 watt)
- Advanced thermal management to maximize performance and life
- Proprietary blended optical system to maximize glow and high efficiency
- Field replaceable light engine (remove and recycle less than 2% of total material components)
- Available trimmed or trimless



NanoLUMEN[®]2.5

- 64mm diameter aperture 20-70 watt Metal Halide and MR16 Halogen downlight, wall wash and adjustable accent fitting with interchangeable optics (10, 20, 35 and 60 degrees)
- IP20 / IP44 / CE Pending
- Ten trim options
- Five lens options: frosted Borosilicate, frosted, linear spread, prismatic and Optivex Anti-UV
- Accommodates a variety of lamps: T4, T4.5, CDM-Tm, MH MR16 and Halogen MR16 (71 watt max)
- Precision gear driven hot aiming mechanism, 40 degree vertical tilt and 362 degree horizontal rotation
- High efficiency center beam optics
- Vertical aiming indicator
- Proprietary low-iron, molded glass wall wash lens
- Quick connect wiring system
- Proprietary die-cast aluminum mounting collar with rotating mounting arms and captive fasteners



NanoLED[™]2.5

- 64mm diameter aperture 10 and 14 watt downlight, wall wash and adjustable accent fitting with interchangeable optics (25, 35 and 55 degrees)
- IP20 / CE Pending
- Color temperature options: 2700K, 3000K and 3500K @ 82+ CRI
- Precision gear driven hot aiming mechanism, 40 degree vertical tilt and 362 degree horizontal rotation
- Advanced thermal management to maximize performance and life
- 5 year warranty
- Quick connect wiring system
- Proprietary die-cast aluminum mounting collar with rotating mounting arms and captive fasteners
- 3000K, 14 watt delivers: Downlight: 575 delivered lumens
Wall Wash: 475 delivered lumens
Adjustable Accent: 520 delivered lumens



TheOne LV[™]

- 25mm wide x 16mm high continuous linear LED, nom. 6 watts per 305mm
- IP20 / CE Pending
- Color temperatures: 2700K, 3000K and 3500K @ 82+ CRI
- Standard lengths: 152mm, 305mm, 609mm and 1219mm
- Individual LEDs are spaced nom. 25mm on center for continuous uniformity
- Luminaire distribution is 120 degrees
- 5 year warranty
- 320 lumens per 305mm @ 3000K
- Available with stationary or adjustable mounting brackets
- Advanced design and materials maximize performance and LED life
- 100W Driver operates 5.4 meter continuous run

Awards



ARCHITECTURAL
RECORD
2010 product reports

Affiliations and Standards



USAI[®]
International

web: usalighting.com
info@usalighting.com

1126 River Road
New Windsor, NY 12553

T +1-845-565-8500
F +1-845-561-1130

© 2011 USAI. All rights reserved.
All designs protected by copyright. CA-019