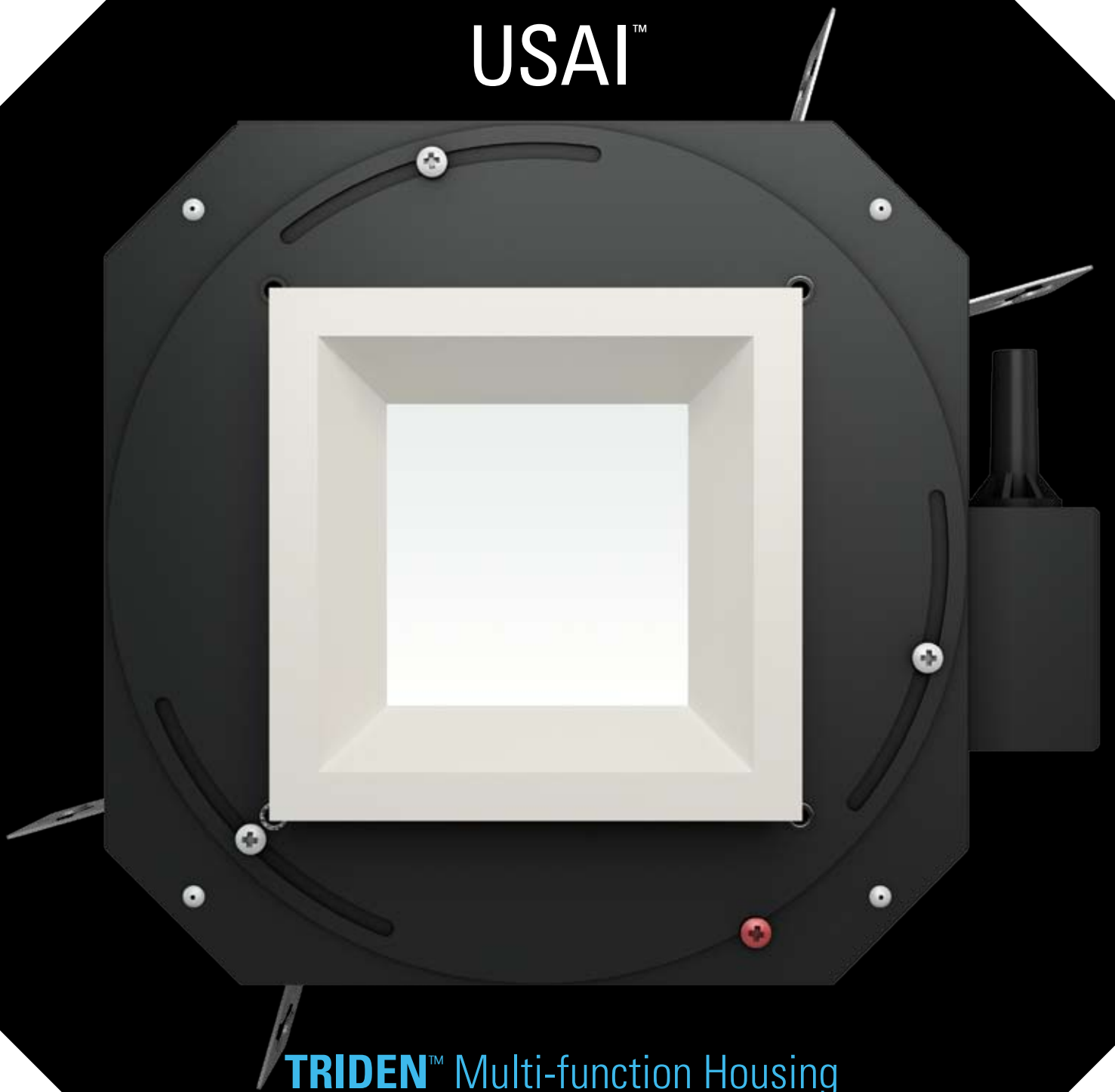


USAI™



**TRIDEN™** Multi-function Housing

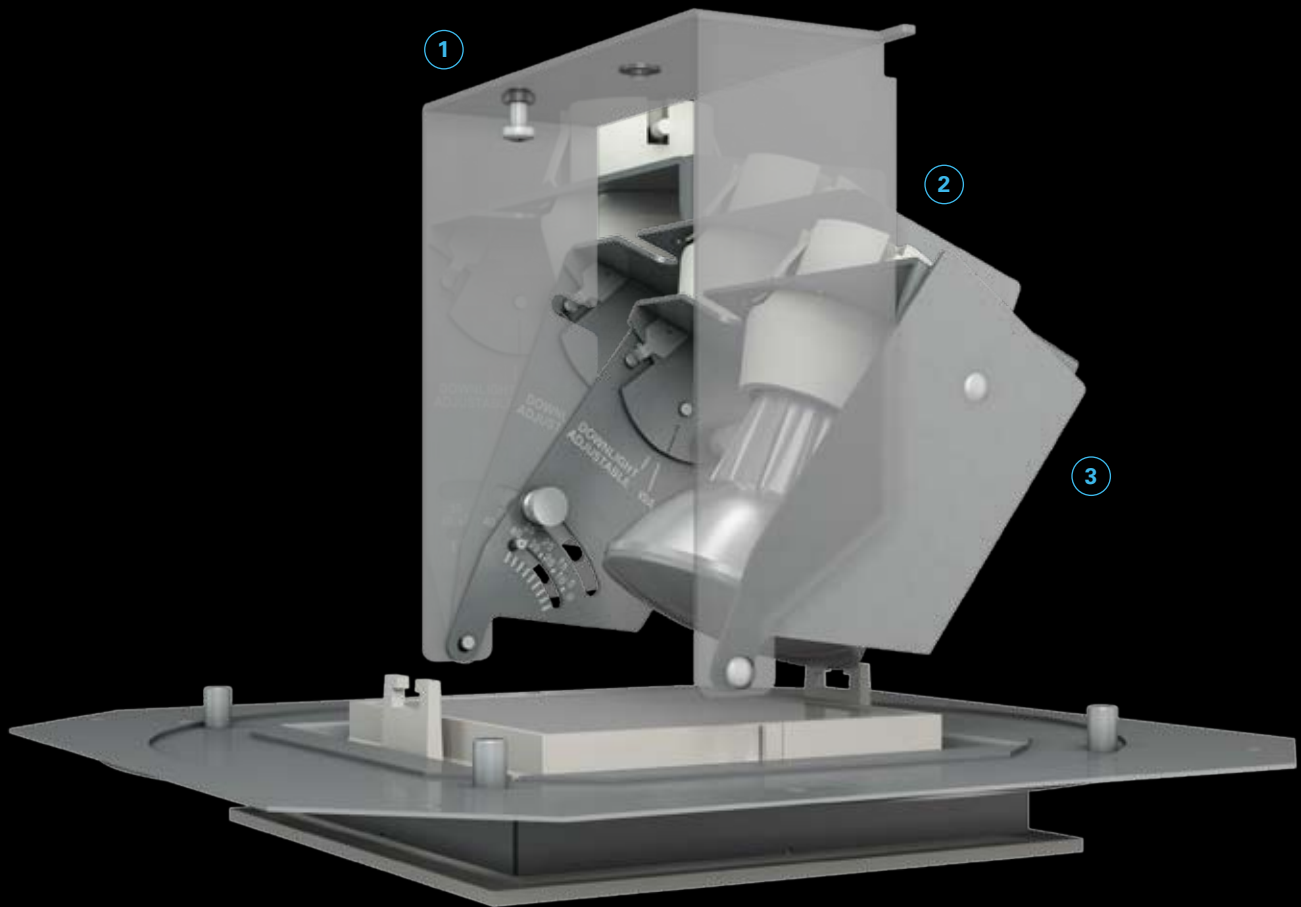
USA Illumination™

## The Future

Triden. One housing for all purposes and functions. Install it now, set it later. Switch between downlight, adjustable and wallwash with a simple set screw. Clearly marked indicators guide you to the the desired setting and aiming angle.

Octagonal shape and 6 mounting points allow for installation in areas with tight fits or obstructions. Patent pending All-Ways Square™ allows for trim rotation up to 45-degrees for perfect alignment or to create patterns.

Triden. The future is now.



### 1 Downlight

Fixed downlight for clean, even ambient illumination.

### 2 Adjustable

Tool-less lockable 40-degree adjustment for accent lighting.

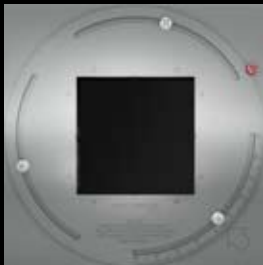
### 3 Wallwash

Secondary aiming axis adjustment with positive lock enhances wallwash or grazing applications.



### Octagonal Housing

Unique shape and mounting locations allow for tight and unique fit. Hanger bars affix to six sides of housing.



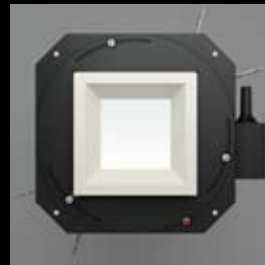
### All-Ways Square™

Patent-pending All-Ways Square allows for perfect alignment and gives designers the ability to create patterns with up to 45-degree rotation.



### Tool-less Adjustment

Simply loosen thumb screw for ease of adjustment up to 40-degrees.



### Square Bevel

4½" Aperture  
PAR20 MH—20/39W  
MR16 MH—20/39W  
MR16—71W max.  
PAR20—50W



### Round Bevel

4½" Aperture  
PAR20 MH—20/39W  
MR16 MH—20/39W  
MR16—71W max.  
PAR20—50W

# USAI™

innovation>>>illumiVation™

---

**USA Illumination™**

usaillumination.com

info@usaillumination.com

1126 River Road

New Windsor, NY 12553

T 845-565-8500

F 845-561-1130

---

This item was printed using FSC approved FLO paper with recycled content.

©2008 USAI. All rights reserved.

TH-080601-001